



Greta

Installation Manual

Model: 53690 Fresh White
Fan weight ± 1 kg: 7.0 kg

Hunter

©2025 Hunter Fan Company

M4118 r062625



IMPORTANT SAFETY INSTRUCTIONS

READ and SAVE These Instructions for future use

WARNING



- **This appliance MUST be installed by a Qualified Electrical Contractor in accordance with the local regulations, and all local, state and national electrical codes.**
- Any alterations or additions to building wiring must be completed by a licensed electrical contractor, or person authorised by legislation to work on the fixed wiring of any electrical installation.
- Be sure to read the entire manual before beginning installation and save any extra parts for future use.
- The mounting of the suspension system shall be performed by a qualified electrical contractor.
- Lift fan weight 7.0 kg.
- The fixing means for attachment to the ceiling such as hooks or other devices shall be fixed with a sufficient strength to withstand four times the weight of the ceiling fan.
- If unusual oscillating movement is observed, immediately stop using the ceiling fan and contact the manufacturer, its service agent, or suitable qualified persons.
- The replacement of parts of the safety suspension system device shall be performed by a qualified electrical contractor.
- Blades must be more than 2.3m from the floor.
- The installation site must have an all-pole switch with a separation gap of at least 3 mm.
- To avoid possible electric shock, before wiring the fan, disconnect power by turning off the circuit breakers to both the outlet box and its associated wall switch location.
- If you cannot lock the circuit breakers in the off position, securely fasten a prominent warning device, such as a tag, to the service panel.
- All wiring must be in accordance with national and local electrical codes.
- To reduce the risk of personal injury, do not bend the blade attachment system when installing, balancing, or cleaning the fan.
- Never insert foreign objects between rotating blades.
- This appliance can be used by children aged from 8 years and above and persons with reduced physical, sensory or mental capabilities or lack of experience and knowledge if they have been given supervision or instruction concerning use of the appliance in a safe way and understand the hazards involved.
- Children should not play with the fan.
- Cleaning and user maintenance should not be carried out by children.
- It is recommended that children be supervised to ensure that they are not using the appliance improperly.
- To reduce the risk of personal injury, attach the fan directly to the support structure of the building according to these instructions and use only the hardware supplied.

Congratulations on purchasing your new Hunter® ceiling fan!

The ceiling fan you purchased will provide comfort and performance for many years. This instruction manual contains complete instructions for installing and operating your fan. We are proud of our work and appreciate the opportunity to supply you with the best ceiling fan available anywhere in the world.

We are here to help!

This Instruction Manual is designed to make installation as simple as possible. We also provide telephone support at 1800 960 664 or email us at hunterfan@amesau.com.

Limited Lifetime Warranty

Hunter Ceiling Fan Warranty

AMES Australasia Pty Ltd ABN 89 169 427 061 (Hunter) offers the following warranty coverage for all Hunter ceiling fans (Products):

- **3 Year Warranty:** of new Products (including parts other than motors) against defects in material and workmanship for a period of 3 years from the date of purchase of the relevant Product by the consumer; and
- **Lifetime Motor Warranty:** of the motor of any new Product against defects in material and workmanship at any time from the date of purchase of the relevant Product by the consumer,

where if Hunter is satisfied that a defect covered by the warranty becomes evident during the relevant period, Hunter will (at its election):

- provide a replacement Product; or
- refund to the Consumer the purchase price paid for the Product,

(each a Warranty, and together the Warranties), subject to the terms, conditions and exclusions listed below.

Terms and Conditions:

The Warranties:

- apply only where a Product is purchased and installed within Australia and by a qualified licensed electrician in accordance with local regulations and Hunter's installation manual; and
- are provided only to the original purchaser of the Product (Consumer).

In the event a Consumer believes that there is a defect in a Product or part covered by a Warranty, the Consumer should notify Hunter (via the contact details provided below) of such defect. For the purposes of verifying any such defect, Hunter reserves the right to examine the relevant Product or part by either:

- requesting the Consumer to return the relevant Product or part to the below address; or
- arranging a time for a Hunter representative to inspect the relevant Product or part at the site where the Product is installed.

Any handling and transportation costs (and other expenses incurred in claiming under a Warranty) are not covered by the Warranties and will not be borne by Hunter. A Consumer may only lodge a Warranty claim if they can provide to Hunter (to Hunter's reasonable satisfaction):

- a Certificate of Electrical Compliance (as required by law in the Consumer's State or Territory in respect of the installation of the Product); and
- proof of purchase of the Product.

Exclusions and statements:

Hunter's obligations under the Warranties are limited to the circumstances set out above, and the Warranties do not cover:

- defects in consumable items (such as light bulbs and batteries);
- defects in Products or parts caused by faulty installation, misuse or improper maintenance;
- cosmetic issues and corrosion to Products or parts;
- installation faults, house wiring issues, normal wear and tear, loose blades or accidental damage to the Product, parts or surrounding area; or
- damage to Products or parts resulting from water exposure, alternative power systems, power surges or weather events.

Our goods come with guarantees that cannot be excluded under the Australian Consumer Law. You are entitled to a replacement or refund for a major failure and compensation for any other reasonably foreseeable loss or damage. You are also entitled to have the goods repaired or replaced if the goods fail to be of acceptable quality and the failure does not amount to a major failure.

The benefits given by the Warranties are in addition to other rights and remedies which may be available to you under any law in relation to the goods or services to which the Warranties relate.

The Warranties constitute our entire guarantee. Except where otherwise provided by the Australian Consumer Law, all other obligations and warranties (both express and implied) are excluded to the fullest extent permitted by law.

Contact details:

1800 960 664
hunterfan@amesau.com

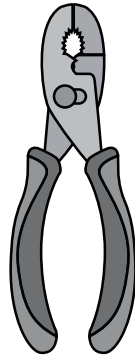
AMES Australasia Pty Ltd
ABN 89 169 427 061
Level 1, 660 Doncaster Rd
Doncaster VIC 3108

Here are the tools you'll need to complete your installation:

IMPORTANT: THIS PRODUCT MUST BE INSTALLED BY A LICENSED ELECTRICIAN.



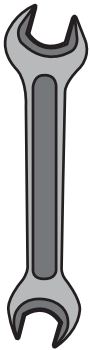
Ladder



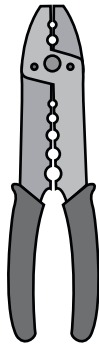
Pliers



Screwdriver



9 mm Wrench



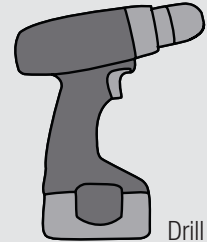
Wire Strippers



Small Flat Head
Screwdriver

OPTIONAL

If mounting to a support structure, you will also need these tools.



Drill



3.57 mm Drill Bit

HUNTER 3 Year In-Home Service

For the first 3 years from the date of purchase, for cases in which the product fails due to manufacturing fault or defective materials, Hunter will provide in home labour to repair the issue. Provision of this service is subject to the below exclusions & conditions:

Exclusions

- Installation faults, wear and tear, loose blades, loose fittings and accidental damage to the fan or the surrounds.
- Installations that have not followed the steps outlined in the product manual.
- Non-standard installations – specifically if the product is not installed between 2.3 and 3m from ground level or requires special access equipment (e.g. scaffolding or scissor lifts).
- Repairs that do not require a licensed electrician/professional.
- Products that were not originally installed by persons licensed by the applicable state regulatory body.

Conditions

- If Hunter's service agent finds the product is free from manufacturing fault or defective materials and the issue is caused by incorrect installation or maintenance, Hunter reserves the right to charge the consumer its standard service fee.
- The customer provides appropriate photos, video or other fault evidence as requested by Hunter's customer service representatives prior to an in-home call out.
- The customer provides the certificate of Electrical Compliance (as required by law in your state) and proof of purchase.
- The customer's location is within Hunter's service network coverage area. For claims outside this area, the consumer will need to engage their own licensed professional and Hunter will reimburse up to the value of Hunter's standard service fee.
- Hunter service agents may refuse in-home service if the installation is deemed unsafe or impractical to access. In such cases:
 - o The owner must arrange for removal and reinstallation by qualified tradespeople at their own expense.
 - o Hunter will reimburse the consumer standard service fee once the issue has been resolved.
- If no replacement ceiling fan or part can be provided, Hunter will provide a comparable or superior replacement ceiling fan/part at the discretion of Hunter.

Here is what comes in your box:

We recommend that you pull everything out of the box and lay it out. We have grouped the drawn components below with the hardware you'll need for those parts. The screws below are drawn to scale to make it easier to identify what piece of hardware is needed to install each component.

Hunter Pro Tip:



Do not discard the hardware bags or mix parts from different bags. Make note of the symbol printed on each hardware bag. The symbols can be used to identify the appropriate hardware for each step.

BAG Wood Screw x2
Washer x2
Masonry/Concrete Anchor Screw x2

For installing the hanger bracket and wiring the fan

Ceiling Bracket
Canopy
Downrod

BAG x2
For installing the canopy

BAG Blade Washer x12

BAG Blade Screw x12

Blade x4

For installing the blades

Remote Control Remote Cradle Receiver
Remote Hardware Bag

Remote Components

BAG
For your convenience, you may receive extra fasteners.

Motor
Light Kit Assembly
LED Module
DuraLight Lens

BAG x6
Light Kit Screw

For installing the light fixture

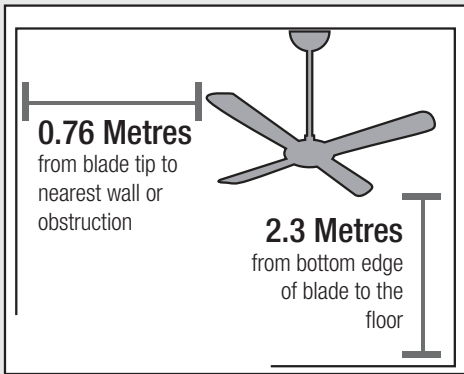
Note:
Fan style may vary.

Find a part that is missing or damaged?
Don't take it back to the store. Let us make it right. call us at 1800 960 664 or email us at hunterfan@amesau.com

Choosing the Right Installation Location

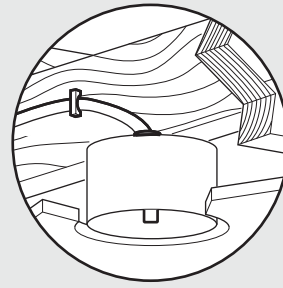
You probably bought this fan with a location in mind. Let's check below to make sure it is a good fit.

Check the room dimensions:



2.6 Metres
from top of canopy to the floor

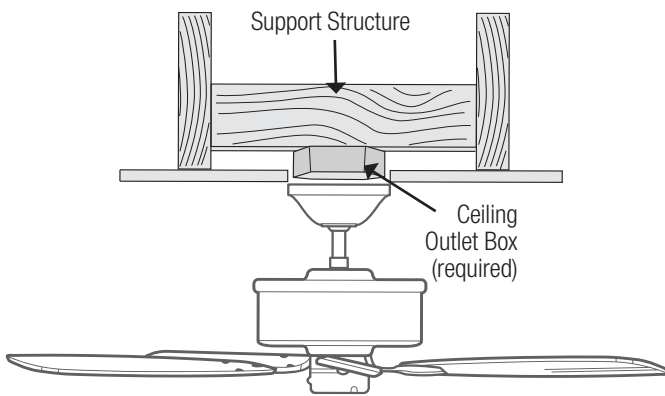
Check the outlet box:



You must be able to secure the fan to building structure or fan-rated outlet box.

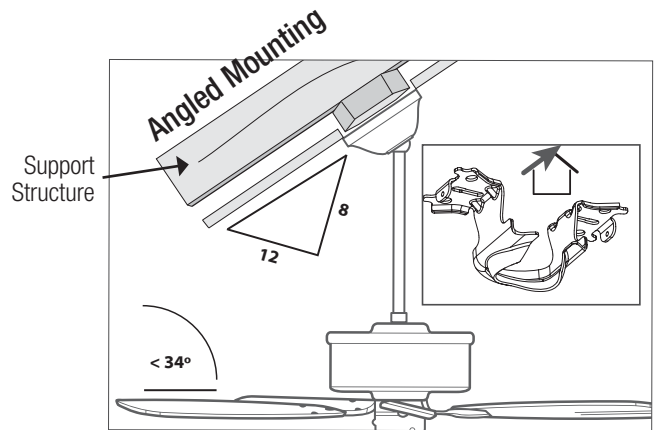
Checking the Ceiling Angle:

Standard Mounting



If you have a flat ceiling:

Standard Mounting is the most common way to mount a ceiling fan. Blades must be more than 2.3m from the floor



If you have an angled or vaulted ceiling:

Angle Mounting is especially useful for vaulted or angled ceilings. If angle mounting is required orient the ceiling plate with the opening pointing toward the ceiling peak.

Angled Mounting

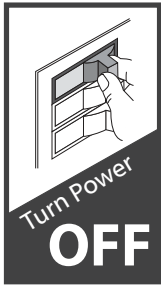
A little more information on Angled Mounting:

For optimum performance and appearance, a longer downrod should be used with your Hunter ceiling fan when installing on high or angled ceiling.



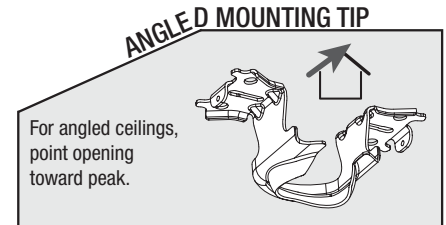
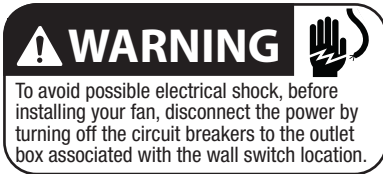
Preparing the Ceiling Bracket

This appliance **MUST** be installed by a Qualified Electrical Contractor in accordance with the local regulations, and all local, state and national electrical codes.



Do this first!

To avoid possible electrical shock, before installing your fan, disconnect the power by turning off the circuit breakers to the outlet box associated with the wall switch location.

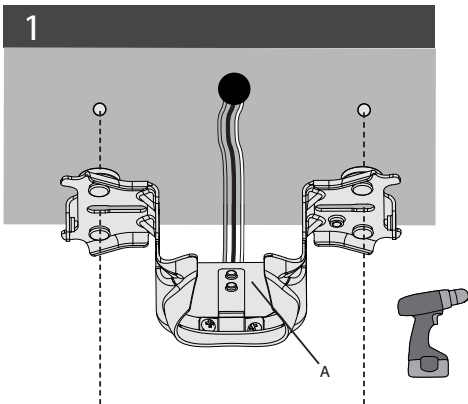


Installing the Ceiling Bracket

You have **two options** for installation. Pick which one works best for your location. Remove any existing bracket prior to installation. **Only use the provided Hunter ceiling bracket that came in your fan's box.**

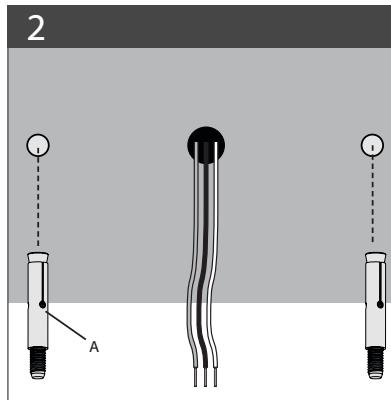
FOR CONCRETE CEILINGS

1



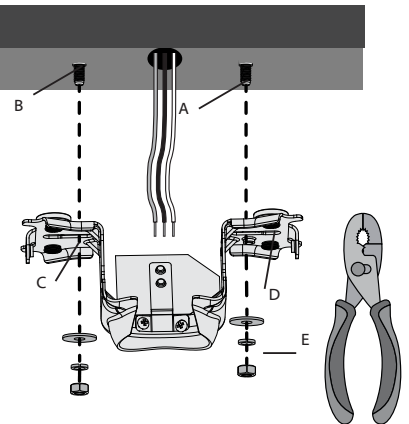
Identify the supply mains in the ceiling and drill two holes using the ceiling bracket (A) as a guide for measurement and accuracy.

2



Drive the M6 x 50 mm expansion anchors (A) into the holes until there is only approximately 10 mm of exposed anchor.

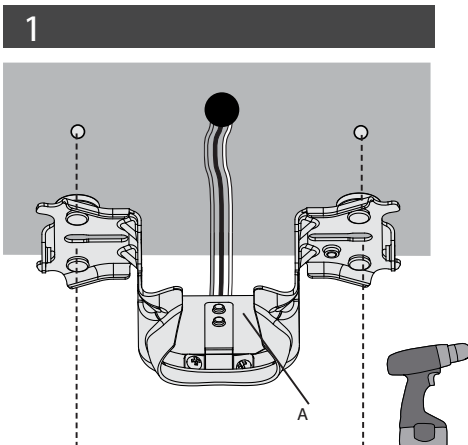
3



Align the Anchor bolts (A) with the oval slots in the ceiling bracket (C). Push the Ceiling bracket onto the anchors (B) until the rubber isolators (D) are tight against the ceiling. Place the flat washer, spring washer, and nut (E) onto the anchor bolt and secure tightly.

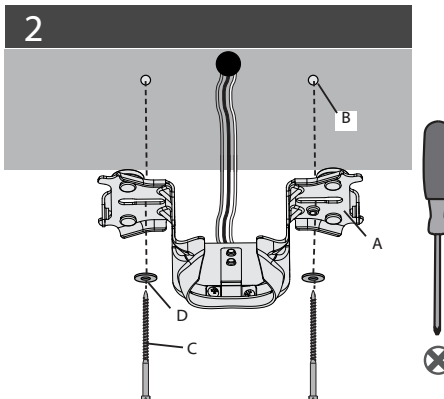
FOR NON-CONCRETE CEILINGS

1



Drill two pilot holes into the wood support structure using the ceiling bracket (A) as a guide for measurement and accuracy.

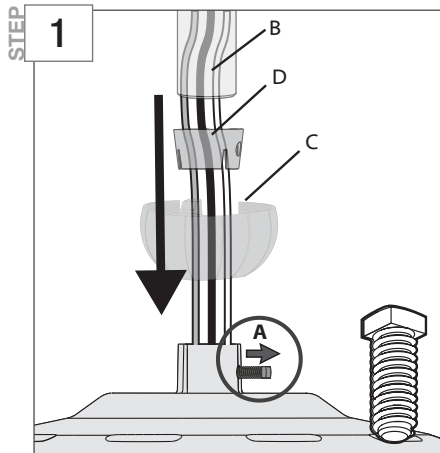
2



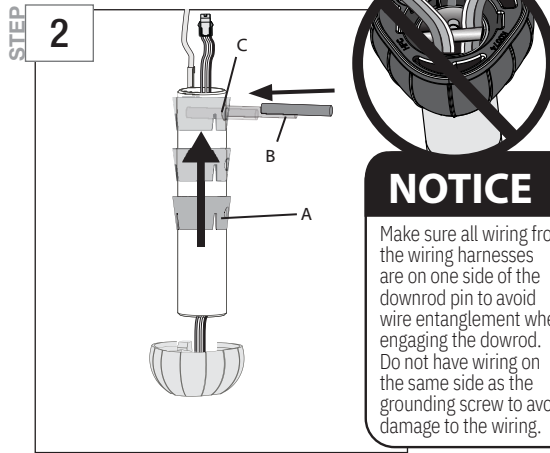
Raise the ceiling bracket (A) and align two opposing oval slots with the pilot holes (B). Insert and tighten the two wood screws (C) with washers (D) to secure the ceiling bracket (A) to the ceiling.

Installing the Downrod

Follow below if you are using the downrod that came in your box. Need to install a longer or shorter downrod? Check out the guide at the end of this manual.

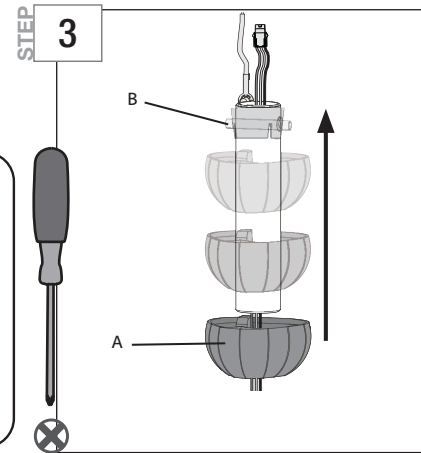


Back out the pre-installed setscrew (A) so that the setscrew's threads are still engaged while the shank does not protrude and obstruct the insertion of the downrod (B). Guide the downrod ball (C), sleeve (B), and downrod (B) down the wires coming from the fan.

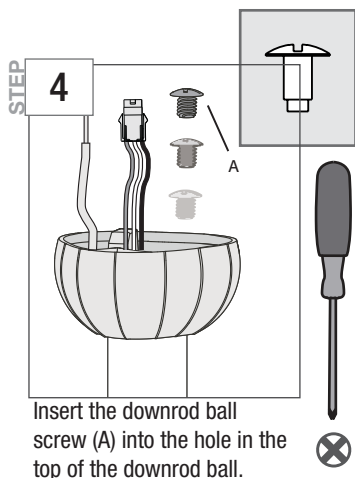


NOTICE

Make sure all wiring from the wiring harnesses are on one side of the downrod pin to avoid wire entanglement when engaging the dowrod. Do not have wiring on the same side as the grounding screw to avoid damage to the wiring.



Slide the downrod ball (A) up the length of the downrod pipe. Align the downrod pin (B) with the notches in the downrod ball (A).



Insert the downrod ball screw (A) into the hole in the top of the downrod ball.

Note:

Fan style may vary.



WARNING



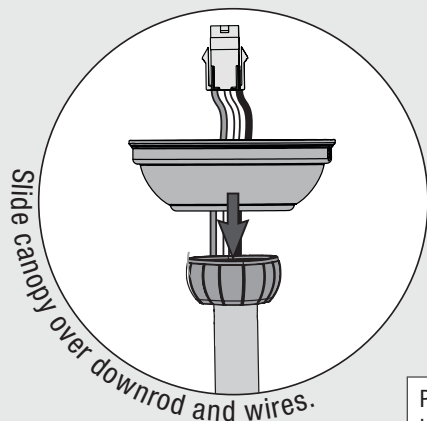
FAN FALL HAZARD

To prevent **SERIOUS INJURY** or **DEATH**:

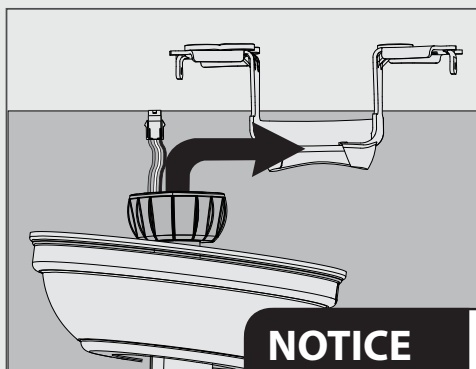
- **ALWAYS** tighten setscrew with pliers.
- **DO NOT** hand tighten setscrew.
- **CHECK** the setscrew is tight using pliers each time you change fan direction.

Tighten the setscrew with pliers. **DO NOT HAND TIGHTEN.**

Hanging the Fan



Slide canopy over downrod and wires.



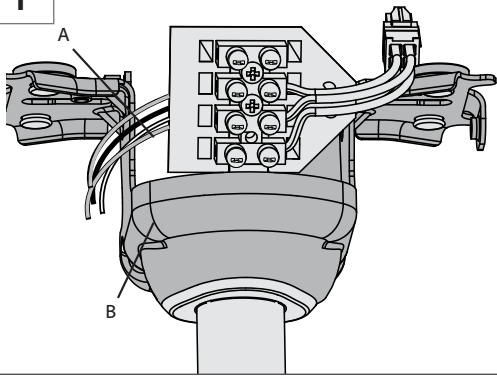
NOTICE

Place the downrod ball into the slot in the ceiling bracket.

To prevent damage to fan, **ALWAYS** lift holding either the fan housing or the downrod.

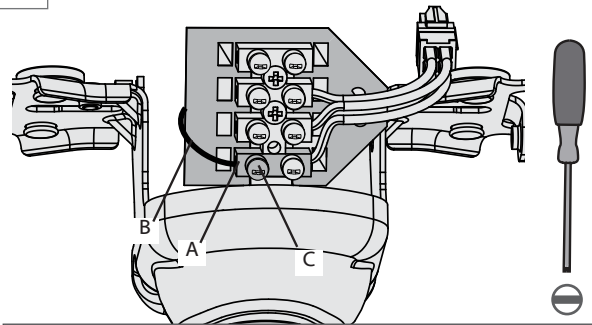
Wiring the Fan

STEP 1



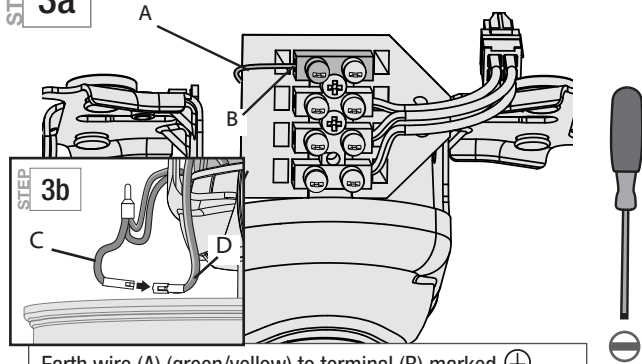
Pull the supply mains (A) through the side of the hanger bracket (B).

STEP 2



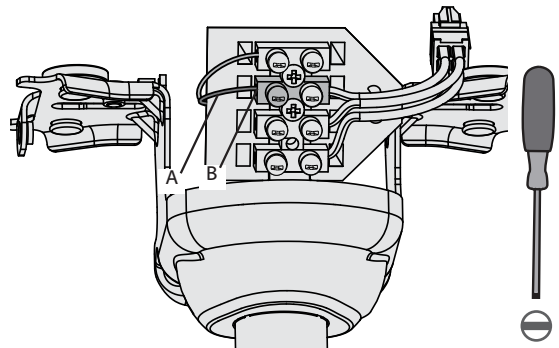
Thread the end of each wire into the terminal block (A) on the hanger bracket, then secure each supply main (B) by tightening the small setscrews (C).

STEP 3a



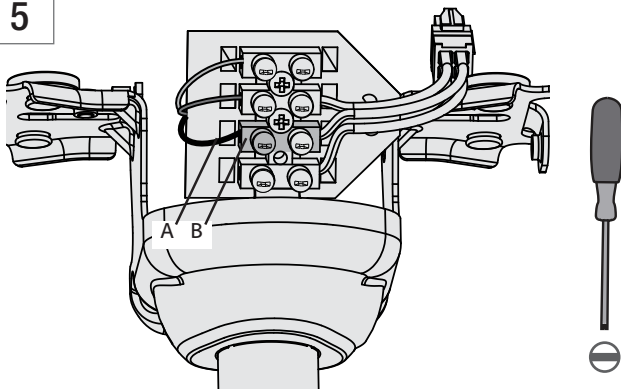
Earth wire (A) (green/yellow) to terminal (B) marked \oplus . Connect the grounding plug (C) from the bracket to grounding plug from the downrod (D).

STEP 4



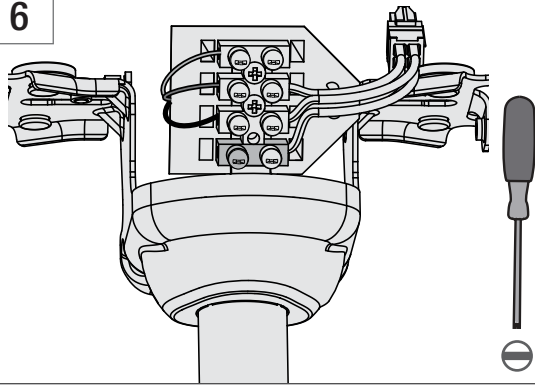
Neutral wire (A) (blue) to terminal (B) marked "N".

STEP 5



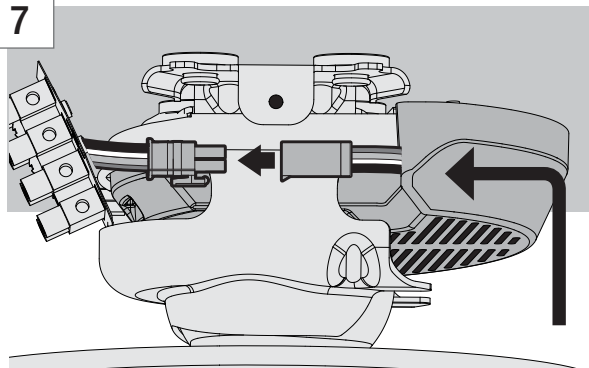
Line wire (A) (brown) to terminal (B) marked "L".

STEP 6



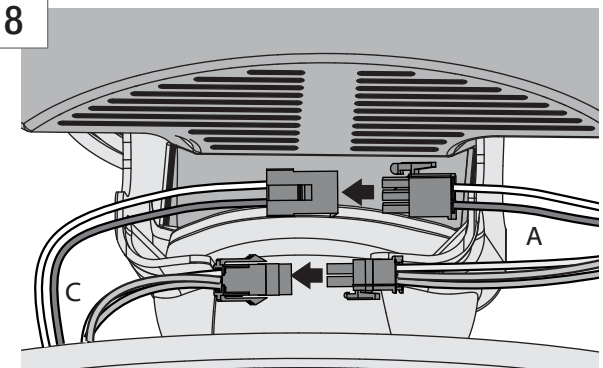
An additional "L" terminal is provided for separate control of the light kit if a separate line is provided for that purpose.

STEP 7



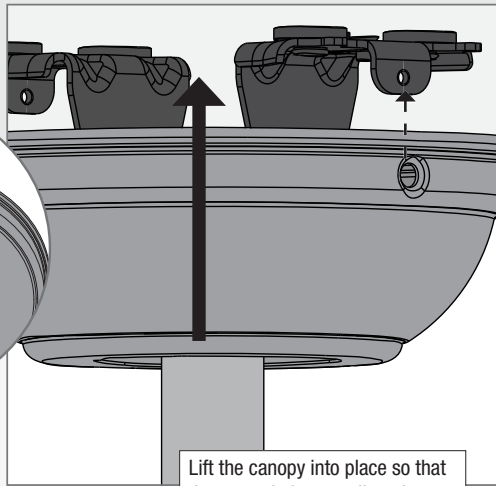
Insert the Receiver into the hanger bracket vent side facing down. Connect the wiring harness from the canopy mount to the receiver.

STEP 8



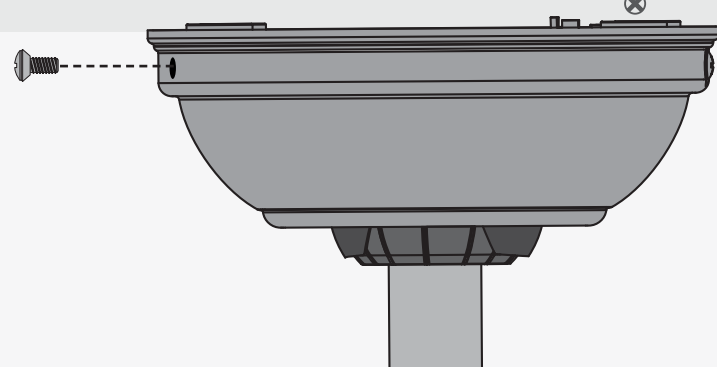
Connect wiring harness from receiver (A) to wiring harness from fan body (C).

Installing the Canopy

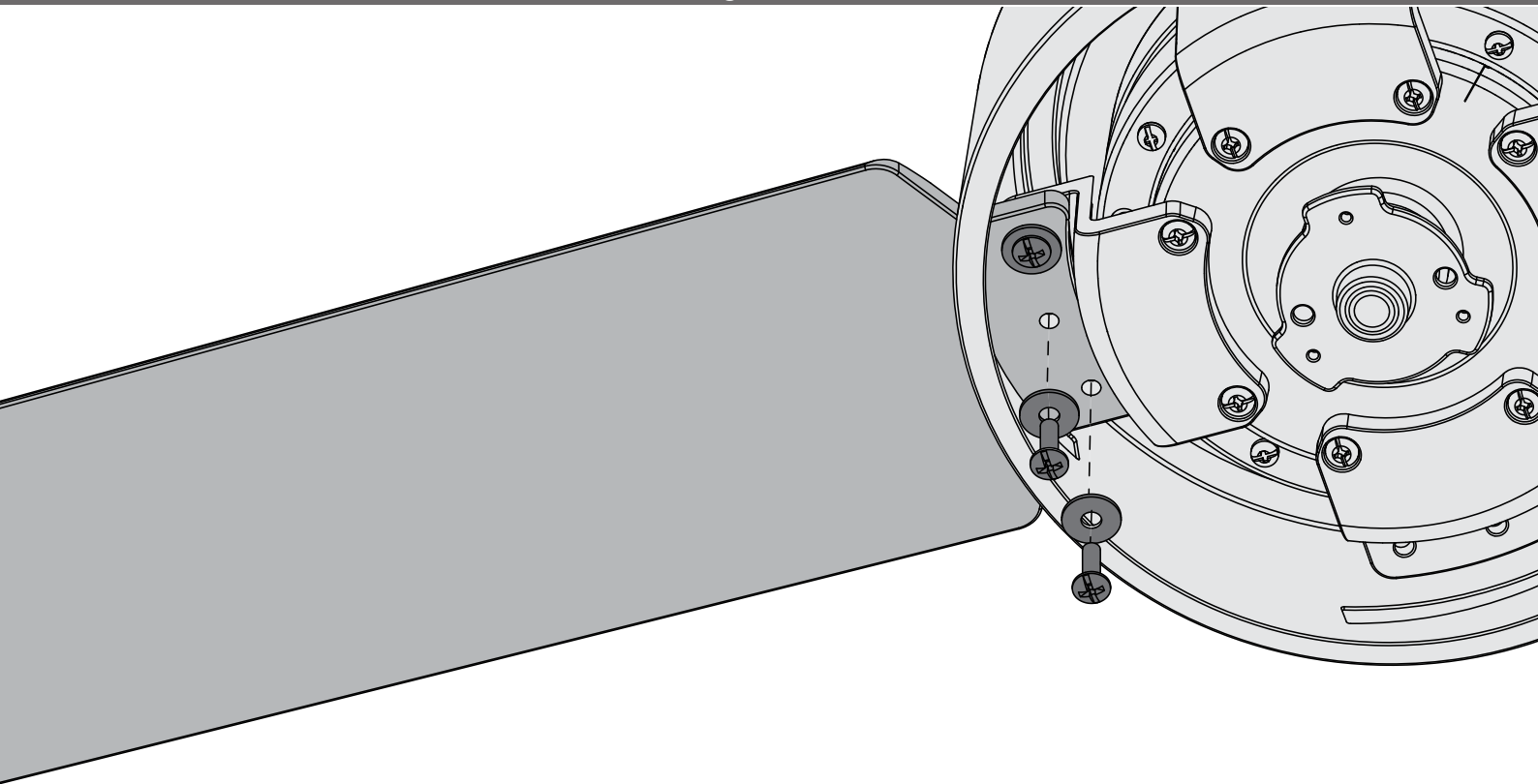


Fit the canopy in place as shown.

Insert the two canopy screws found in the ● hardware bag.

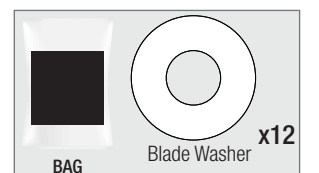
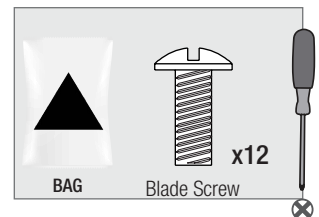


Installing the Blades:



Put the blade washers found in the ■ hardware bag onto the blade screws found in the ▲ hardware bag. Then install the blade screws to secure each blade to the fan.

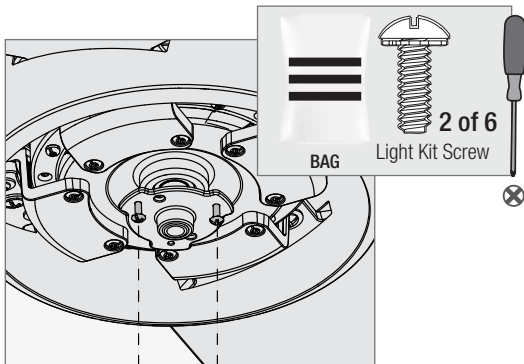
Repeat x4



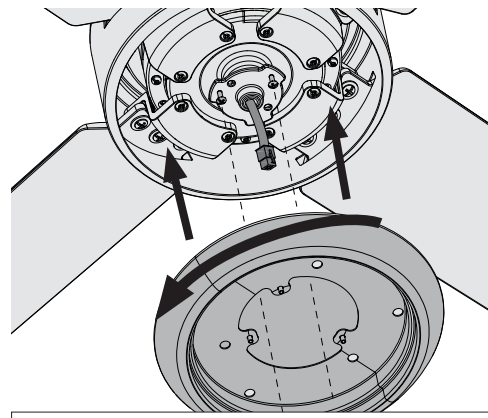
▲ IMPORTANT

NOTE: Follow the instructions on the blade. Installing it incorrectly could result in your fan not functioning.

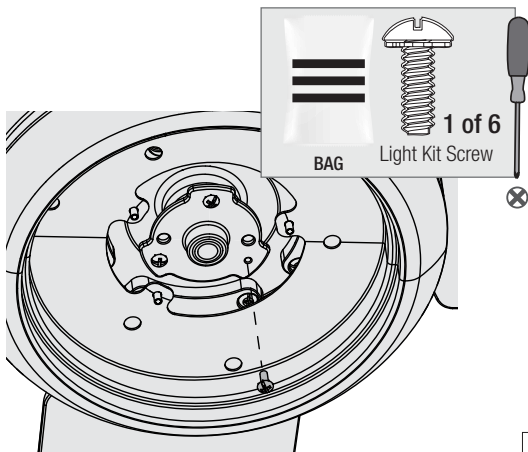
Assembling the Light



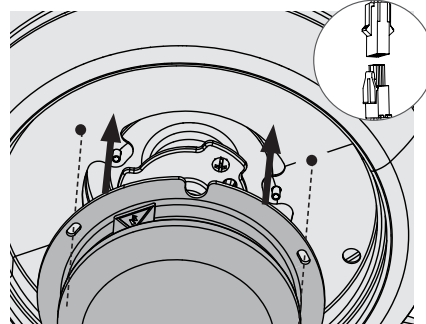
Partially install two light kit screws, found in the hardware bag, through the gasket halfway into the motor housing as shown. It does not matter which two screw holes you choose.



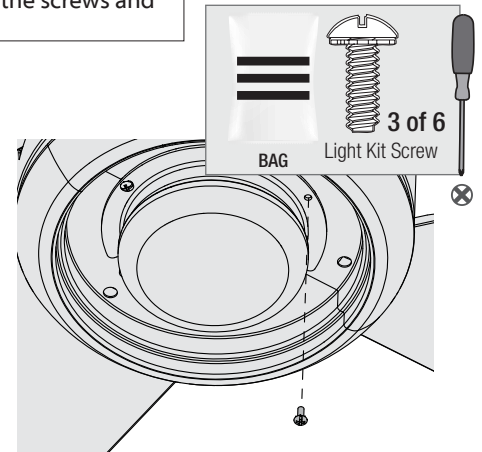
Feed the 3-pin plug connector coming from the bottom of the motor housing through the center hole in the light kit assembly. Align the keyhole slots in the top of the light kit assembly with the partially installed assembly screws. Wrap the keyhole slots around the screws and twist counterclockwise.



Insert the third screw found in the hardware bag, into place and then tighten all three screws.



Lift the the LED assembly and connect the plugs. Make sure to line up the colored markings on the connectors and that the connectors latch. Push any excess wiring into the switch housing.

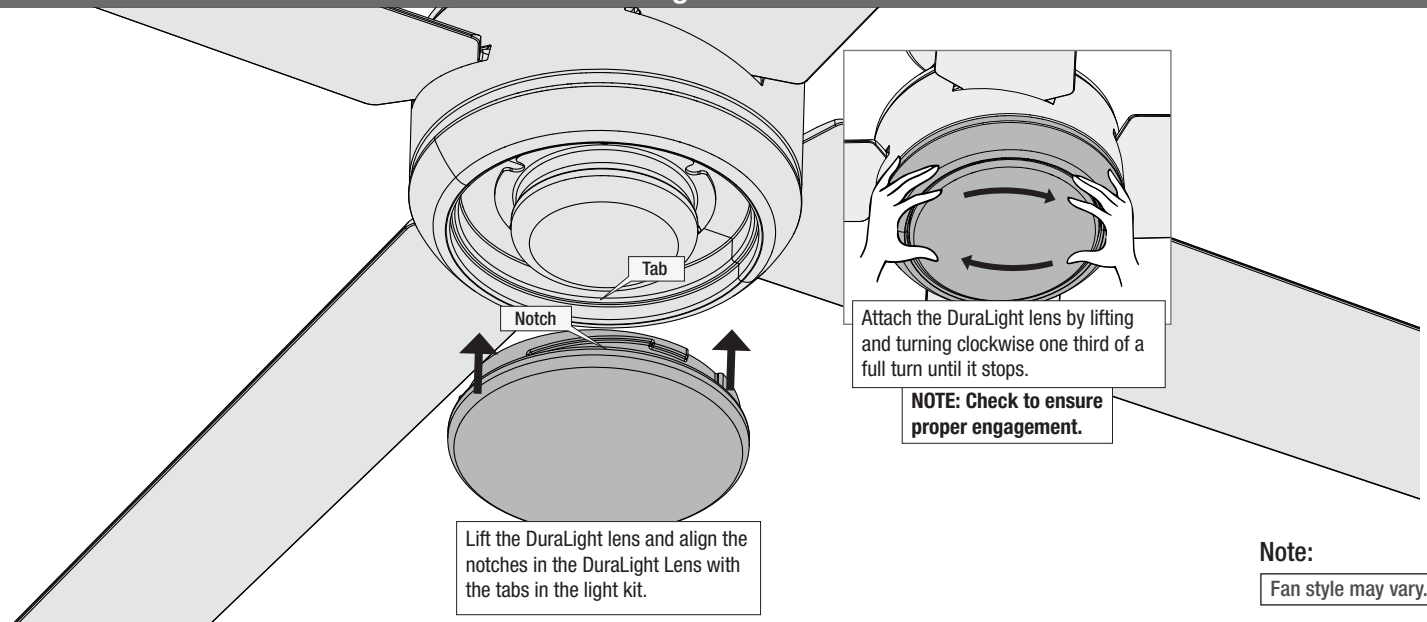


Insert the three screws, found in the hardware bag, into place and then tighten all three screws.

Note:

Fan style may vary.

Installing the Bulbs and Lens



Lift the DuraLight lens and align the notches in the DuraLight Lens with the tabs in the light kit.

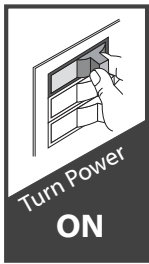
Attach the DuraLight lens by lifting and turning clockwise one third of a full turn until it stops.

NOTE: Check to ensure proper engagement.

Note:

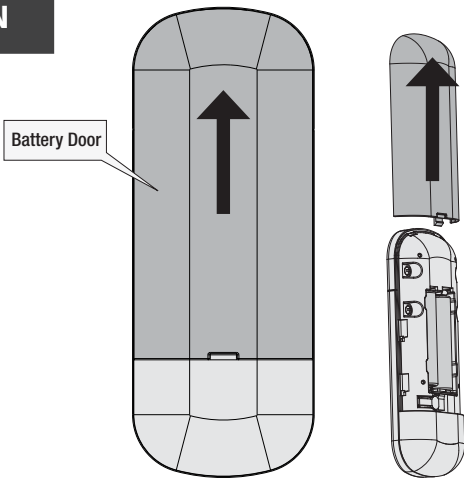
Fan style may vary.

Preparing the Remote

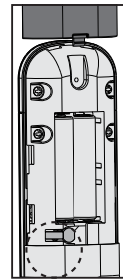


For your convenience, a remote function card is packed in with your remote.

To access the battery compartment, remove the battery door to the transmitter assembly.



Install two AAA batteries, found in the remote control hardware bag, into the transmitter. Clean the battery contacts prior to installing the batteries. **Please contact your local battery recycling centre for proper battery disposal information.**

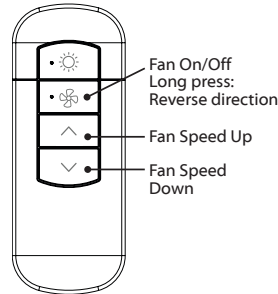


The remote transmitter is already paired to the receiver and ready to use. **Dimming mode is on by default.**

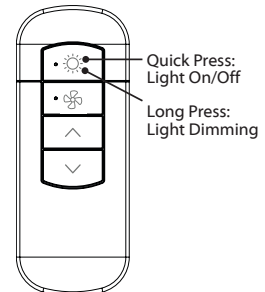
Note: If you need to pair your remote, turn fan power off and back on at the wall switch. Within 3 minutes, press and release the "PAIR" button on the back of the remote. **Do not hold down the button.** To prevent faulty operation, please ensure all other ceiling fans within range are turned off at the wall switch while pairing.

NOTICE: DIMMING MODE

To toggle Dimming Mode on or off, long press the "Fan Speed Up" button and "Fan Speed Down" button.



The Fan On/Off button turns the fan on or off. Adjust the fan speed using the "Fan Speed Up" or "Fan Speed Down" directional buttons. Press and hold the fan button to reverse the direction of the fan.

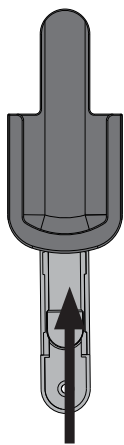


Quickly press the Light button to turn the lights off and on. Hold the Light button to raise and dim the light level.

Installing the Remote Control Cradle

You have two options for installing the remote cradle. Choose which path works best for you.

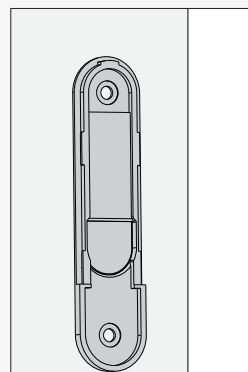
Option 1: Using Adhesive Strip



Remove the cradle from the cradle bracket.

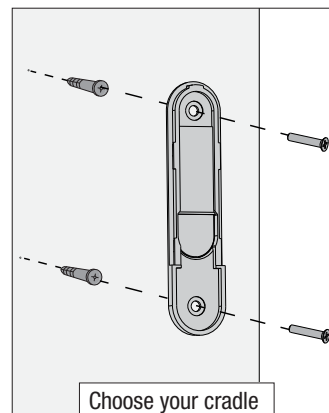


Separate the lining from the back of the adhesive strip on the cradle bracket.



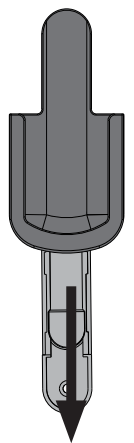
Press the cradle bracket against the wall and hold firmly for 30 seconds.

Option 2: Using Screws



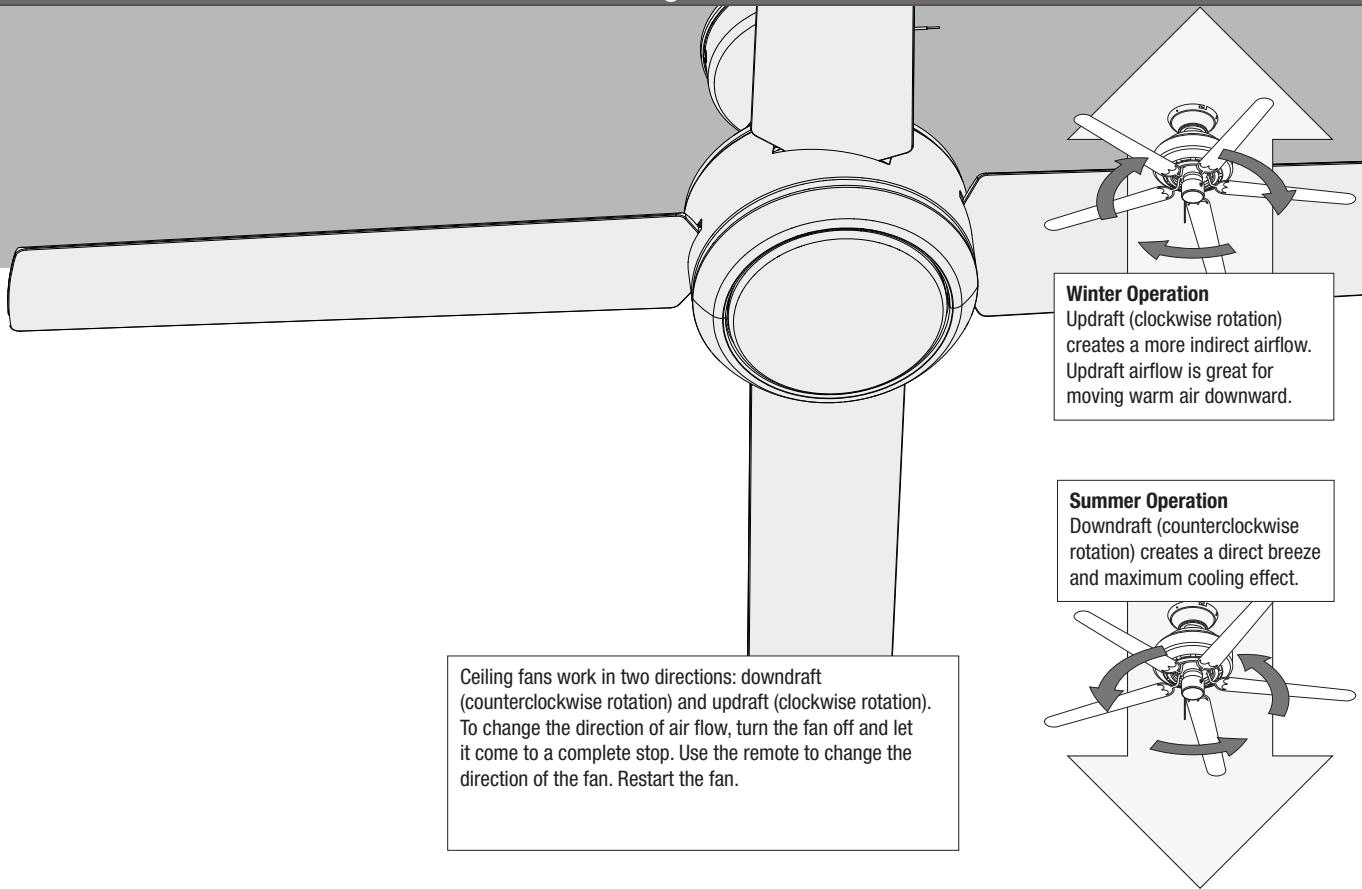
Choose your cradle installation location.

If you are installing into drywall, drill two 9/64 width holes using the cradle bracket as a guide. Gently hammer the included drywall anchors into the pre-drilled holes.



Slide the cradle onto the mounted bracket.

Reversing the Fan



Winter Operation
Updraft (clockwise rotation) creates a more indirect airflow. Updraft airflow is great for moving warm air downward.

Summer Operation
Downdraft (counterclockwise rotation) creates a direct breeze and maximum cooling effect.

Ceiling fans work in two directions: downdraft (counterclockwise rotation) and updraft (clockwise rotation). To change the direction of air flow, turn the fan off and let it come to a complete stop. Use the remote to change the direction of the fan. Restart the fan.

Note:
Fan style may vary.

Troubleshooting

⚠ IMPORTANT

- Always purchase the correct size and grade of battery most suitable for the intended use.
- Replace all batteries as a set at the same time.
- Clean the battery contacts and also those of the device prior to battery installation.
- Ensure the batteries are installed correctly with regard to polarity (+ and -).
- Remove batteries from equipment which is not to be used for an extended period of time.
- Remove used batteries promptly.

Fan Doesn't Work

- Make sure power switch is on.
- Check the circuit breaker to ensure the power is turned on.
- Make sure the blades spin freely.
- Turn off power from the circuit breaker, then loosen the canopy and check all the connections according to the wiring diagram.

Excessive Wobbling

- Make sure the blades are properly installed on the blade iron posts.
- Turn the power off, support the fan carefully, and check that the hanger ball is properly seated.

Noisy Operation

- Make sure the blades are properly installed.
- Check to see if any of the blades are cracked. If so, replace all of the blades.

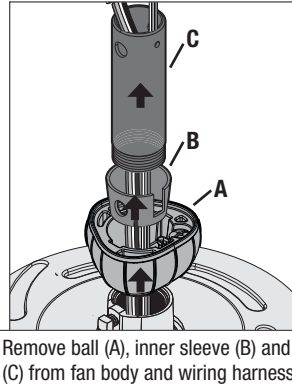
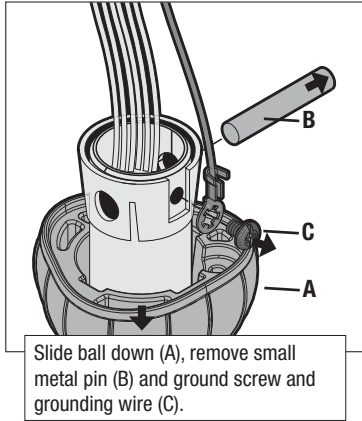
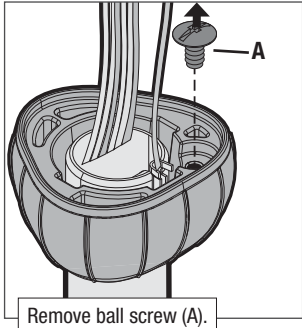
The Fan Moves Backwards And Forwards When Turned On

- This is normal start-up procedure for DC motor fans. The partial movement during start-up is the result of the DC motor aligning the internal magnetic poles for proper motor operation. This design saves electricity and allows the fan to operate much more quietly than standard AC motor fans.

Hunter Pro Tip:
Cleaning the Fan
Use soft brushes or cloths to prevent scratching. Cleaning products may damage the finishes.

Downrod

If you need a different downrod length follow these steps:

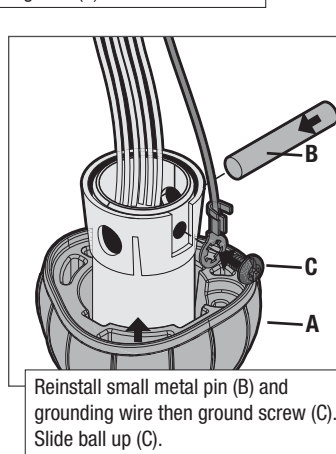
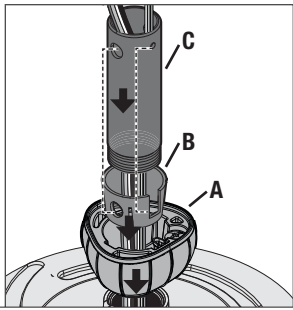


! WARNING

FAN FALL HAZARD

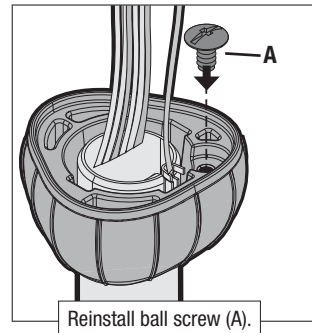
To prevent **SERIOUS INJURY** or **DEATH**:

- **ALWAYS** tighten setscrew with pliers.
- **DO NOT** hand tighten setscrew.
- **CHECK** the setscrew is tight using pliers each time you change fan direction.
- **Pin** must be reinserted to secure downrod assembly



NOTICE

Make sure all wiring from the wiring harnesses are on one side of the downrod pin to avoid wire entanglement when engaging the downrod. Do not have wiring on the same side as the grounding screw to avoid damage to the wiring.



Wiring harness supports 12" downrod max.