



Seawave

Installation Manual

Model: 53443 Fresh White
53445 Matte Black
Fan weight ± 1 kg: 8.3 kg

Hunter

©2024 Hunter Fan Company

M4062 r040424



IMPORTANT SAFETY INSTRUCTIONS

READ and SAVE These Instructions for future use

WARNING



- **This appliance MUST be installed by a Qualified Electrical Contractor in accordance with the local regulations, and all local, state and national electrical codes.**
- Any alterations or additions to building wiring must be completed by a licensed electrical contractor, or person authorised by legislation to work on the fixed wiring of any electrical installation.
- Be sure to read the entire manual before beginning installation and save any extra parts for future use.
- The mounting of the suspension system shall be performed by the manufacturer, its service agent, or suitably qualified persons.
- Lift fan weight 8.3 kg.
- The fixing means for attachment to the ceiling such as hooks or other devices shall be fixed with a sufficient strength to withstand four times the weight of the ceiling fan.
- If unusual oscillating movement is observed, immediately stop using the ceiling fan and contact the manufacturer, its service agent, or suitable qualified persons.
- The replacement of parts of the safety suspension system device shall be performed by the manufacturer, its service agent, or suitable qualified persons.
- Blades must be more than 2.3m from the floor.
- The installation site must have an all-pole switch with a separation gap of at least 3 mm.
- To avoid possible electric shock, before wiring the fan, disconnect power by turning off the circuit breakers to both the outlet box and its associated wall switch location.
- If you cannot lock the circuit breakers in the off position, securely fasten a prominent warning device, such as a tag, to the service panel.
- All wiring must be in accordance with national and local electrical codes.
- To reduce the risk of personal injury, do not bend the blade attachment system when installing, balancing, or cleaning the fan.
- Never insert foreign objects between rotating blades.
- This appliance can be used by children aged from 8 years and above and persons with reduced physical, sensory or mental capabilities or lack of experience and knowledge if they have been given supervision or instruction concerning use of the appliance in a safe way and understand the hazards involved.
- Child should not play with the fan.
- Cleaning and user maintenance shall not be made by children without supervision.
- It is recommended that children be supervised to ensure that they are not using the appliance improperly.
- To reduce the risk of personal injury, attach the fan directly to the support structure of the building according to these instructions and use only the hardware supplied.

Congratulations on purchasing your new Hunter® ceiling fan!

The ceiling fan you purchased will provide comfort and performance for many years. This instruction manual contains complete instructions for installing and operating your fan. We are proud of our work and appreciate the opportunity to supply you with the best ceiling fan available anywhere in the world.

We are here to help!

This Instruction Manual is designed to make installation as simple as possible. We also provide telephone support at +61 1800 960 664 or email us at hunterfan@amesau.com.

Limited Lifetime Warranty

Hunter Fan Company grants this limited warranty to the original purchaser of this Hunter ceiling fan. This document can be found at www.HunterFan.com. Thank you for choosing Hunter!

How Can Warranty Service Be Obtained?

Proof of purchase is required when requesting warranty service. The original purchaser must present a sales receipt or other document that establishes proof of purchase. Hunter, at its sole discretion, may accept a gift receipt. To obtain service, contact Hunter Fan Company via email or by phone.

hunterfan@amesau.com
+61 1800 960 664

Please do not ship your fan or any fan parts to Hunter. Delivery will be refused.

What Does This Warranty Cover?

Motor — Limited Lifetime Warranty

If any part of your ceiling fan motor fails during your ownership of the fan due to a defect in material or workmanship, as determined solely by Hunter, Hunter will provide you with a replacement fan free of charge.* The foregoing limited warranty applies only to the motor itself and does not apply to electronic controls – such as remote control transmitters, remote control receivers, or capacitors – used in conjunction with the motor. Such electronic control items are included in the one-year limited warranty below.

Other — One-Year Limited Warranty

Except as otherwise indicated throughout this warranty, if any part of your Hunter ceiling fan fails at any time within one year of the date of purchase due to a defect in material or workmanship, as determined solely by Hunter, Hunter will provide a replacement part free of charge.*

Light Kits — Warranty May Vary

Light kits are included in the one-year limited warranty. However, you may qualify for additional warranty coverage if your fan includes one of the following:

- **LED Light Kits — Three-Year Limited Warranty**

If your LED light kit module (not including glass components) or LED bulb fails at any time within three years of the date of purchase due to a defect in material or workmanship, as determined solely by Hunter, Hunter will provide a replacement part free of charge.*

WeatherMax® Finishes — Three-Year Limited Warranty

For WeatherMax fans, if your WeatherMax fan finish fades, rusts, peels, flakes, blisters, or cracks within three years of the date of purchase due to normal atmospheric conditions, as determined solely by Hunter, Hunter will provide a replacement fan free of charge.* **Cleaning your fan in any way other than what is recommended in the manual voids the finish warranty.**

** If no replacement product/part can be provided for your fan, we will provide a comparable or superior replacement product/part at the sole discretion of Hunter.*

What Does This Warranty NOT Cover?

Labor Excluded. This warranty does not cover any costs or fees associated with the labor (including electrician's fees) required to install, remove, or replace a fan or any fan parts.

There is no warranty for light bulbs (except where otherwise noted); remote control batteries; fans purchased or installed outside **Australia**; fans owned by someone other than the original purchaser; fans for which proof of purchase has not been established; fans purchased from an unauthorised dealer; ordinary wear and tear; minor cosmetic blemishes; refurbished fans; and fans that are damaged due to any of the following: improper installation, misuse, abuse, improper care, failure to follow Hunter instructions, accidental damage caused by the fan owner or related parties, modifications to the fan, improper or incorrectly performed maintenance or repair, improper voltage supply or power surge, use of improper parts or accessories, failure to provide maintenance to the fan, or acts of God (e.g. flood).

Our goods come with guarantees that cannot be excluded under the Australian Consumer Law.

You are entitled to a replacement or refund for a major failure and compensation for any other reasonably foreseeable loss or damage.

You are also entitled to have the goods repaired or replaced if the goods fail to be of acceptable quality and the failure does not amount to a major failure.

Contact Us

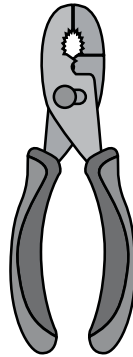
We are committed to providing you with complete customer satisfaction. If you have any questions or comments about our products or services please contact your nearest Customer Service Centre during their local business hours at +61 1800 960 664 or email us at hunterfan@amesau.com.

AMES Australasia Pty Ltd
ABN 89 169 427 061
Level 1, 660 Doncaster Road,
Doncaster Vic 3108

Here are the tools you'll need to complete your installation:



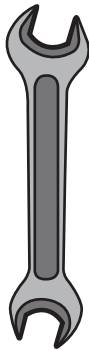
Ladder



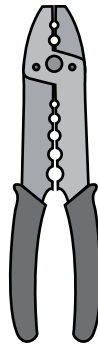
Pliers



Screwdriver



9 mm Wrench



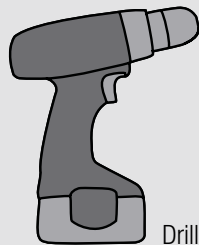
Wire Strippers



Small Flat Head
Screwdriver

OPTIONAL

If mounting to a support structure, you will also need these tools.



Drill



3.57 mm Drill Bit

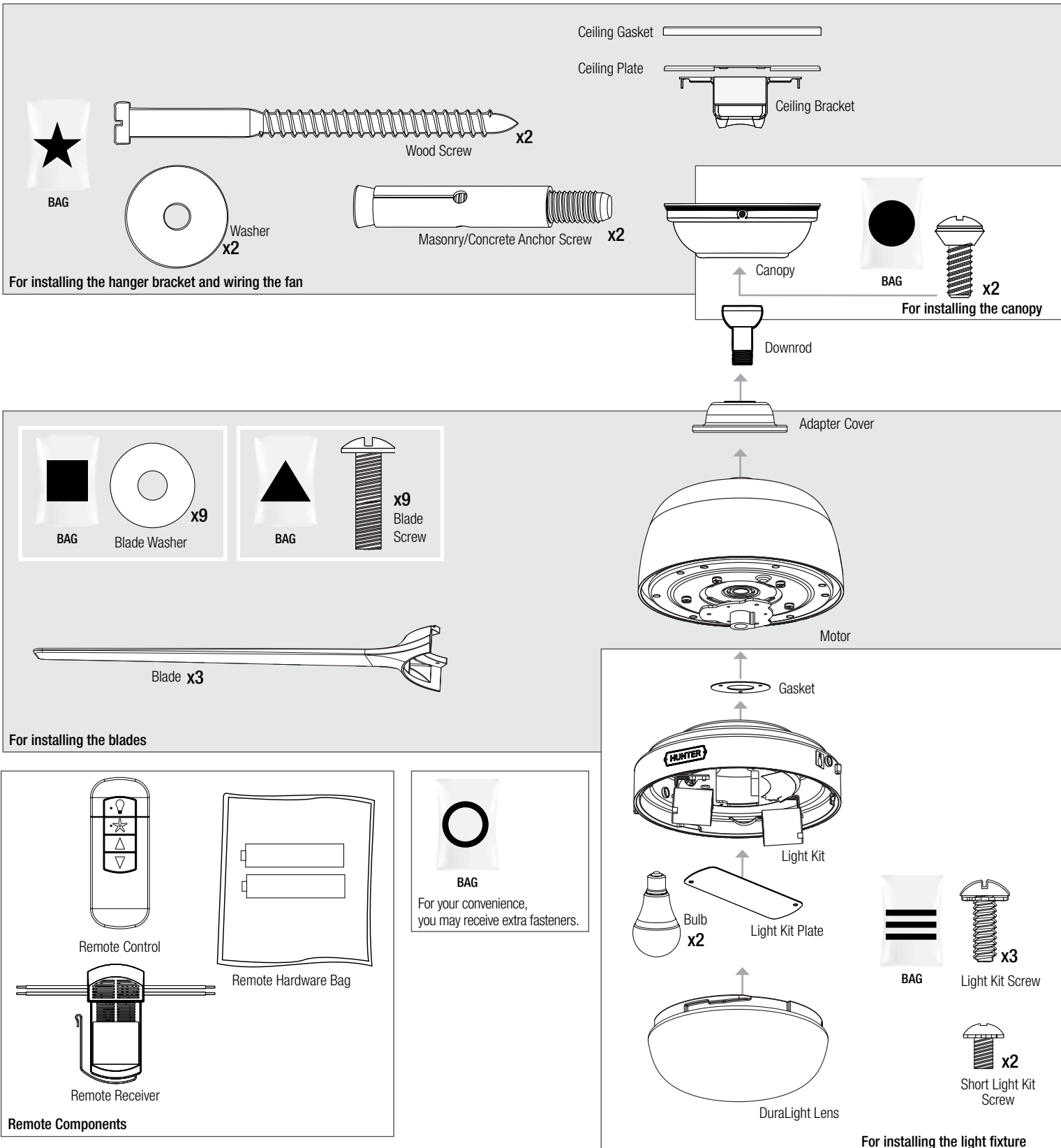
IMPORTANT: THIS PRODUCT MUST BE INSTALLED BY A LICENSED ELECTRICIAN.

Here is what comes in your box:

We recommend that you pull everything out of the box and lay it out. We have grouped the drawn components below with the hardware you'll need for those parts. The screws below are drawn to scale to make it easier to identify what piece of hardware is needed to install each component.

Hunter Pro Tip:

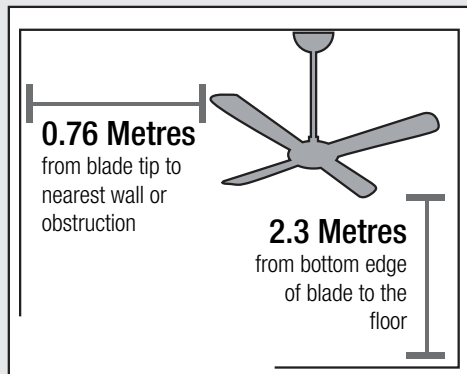
Do not discard the hardware bags or mix parts from different bags. Make note of the symbol printed on each hardware bag. The symbols can be used to identify the appropriate hardware for each step.



Choosing the Right Installation Location

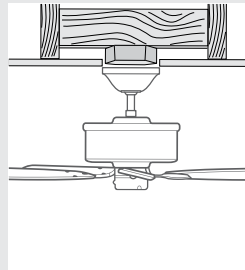
You probably bought this fan with a location in mind. Let's check below to make sure it is a good fit.

Check the room dimensions:



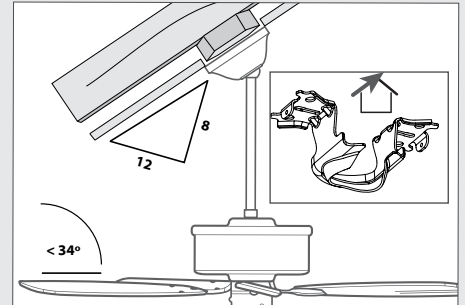
2.3 Metres from top of canopy to the floor

Standard Mounting:



Standard Mounting is the most common way to mount a ceiling fan. Blades must be more than 2.3m from the floor

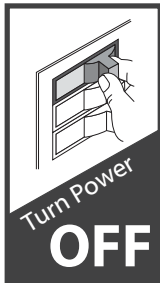
Angled Mounting:



Angle Mounting is especially useful for vaulted or angled ceilings. If angle mounting, orient the ceiling plate with the opening pointing toward the ceiling peak.

Preparing the Ceiling Bracket

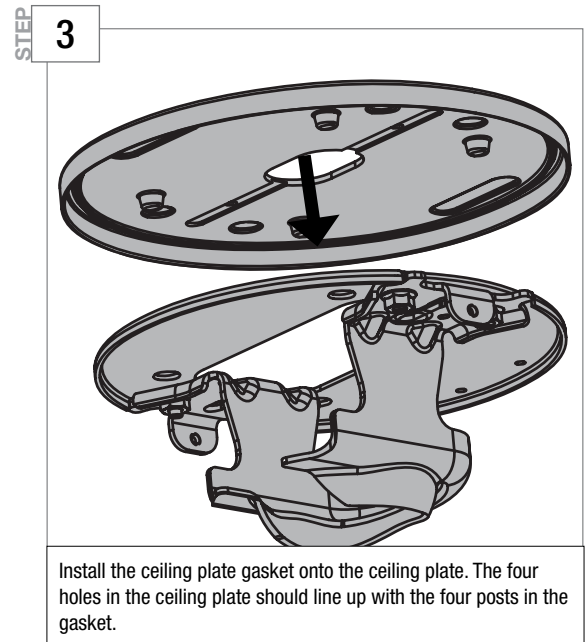
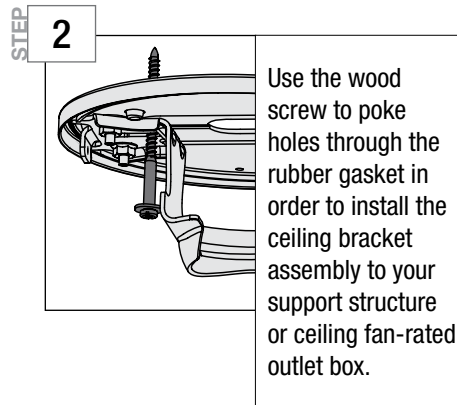
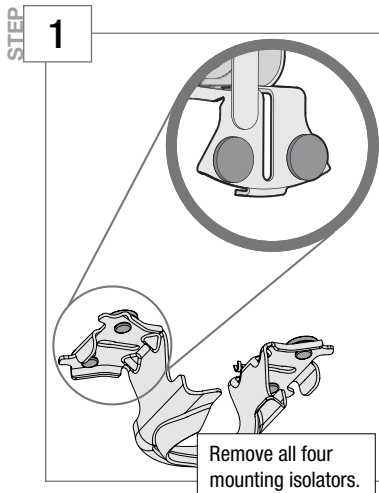
To avoid possible electrical shock, before installing your fan, disconnect the power by turning off the circuit breakers to the outlet box associated with the wall switch location.



Do this first!

WARNING

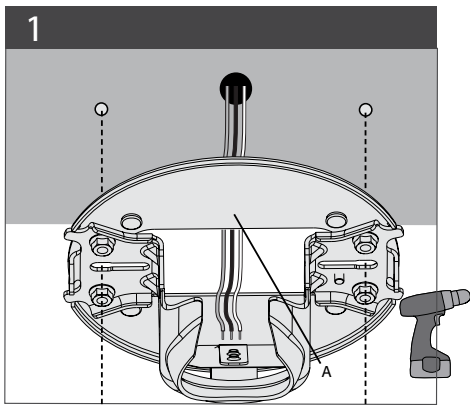
To avoid possible electrical shock, before installing your fan, disconnect the power by turning off the circuit breakers to the outlet box associated with the wall switch location.



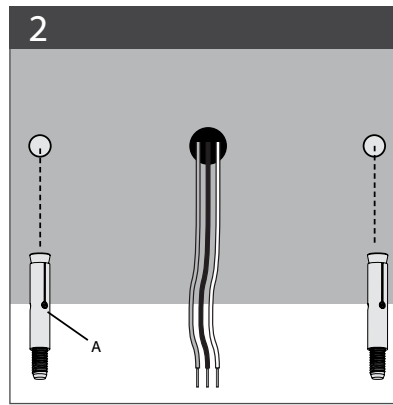
Installing the Ceiling Bracket

You have **two options** for installation. Pick which one works best for your location. Remove any existing bracket prior to installation. **Only use the provided Hunter ceiling bracket that came in your fan's box.**

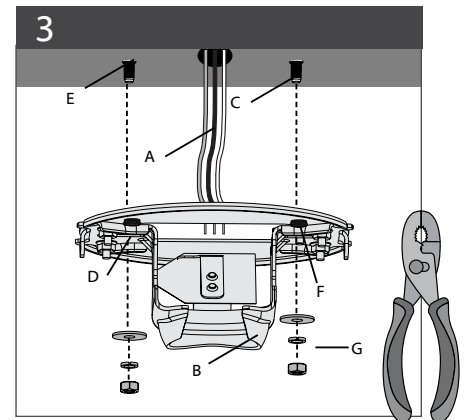
FOR CONCRETE CEILINGS



Identify the supply mains in the ceiling and drill two holes using the ceiling plate (A) as a guide for measurement and accuracy.

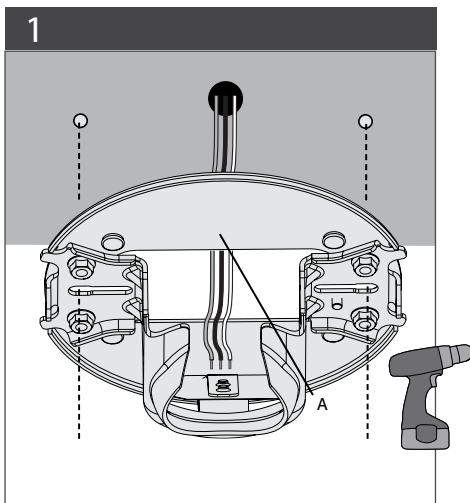


Drive the M6 x 50 mm expansion anchors (A) into the holes until there is only approximately 10 mm of exposed anchor.

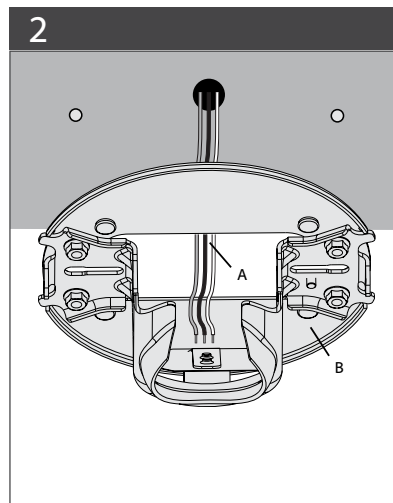


Thread the supply mains (A) through the centre hole of the ceiling plate (B). Align the anchor bolts (C) with the oval slots in the ceiling plate (D). Push the ceiling plate onto the anchors (E) until the ceiling plate is flush against the ceiling. Place the flat washer, spring washer, and nut (G) onto the anchor bolt and secure tightly.

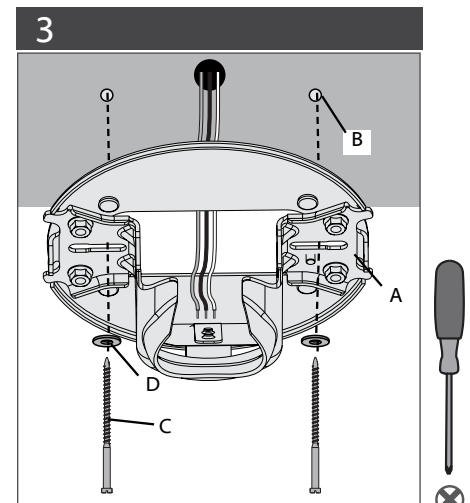
FOR NON-CONCRETE CEILINGS



Drill two pilot holes into the wood support structure using the ceiling plate (A) as a guide for measurement and accuracy.



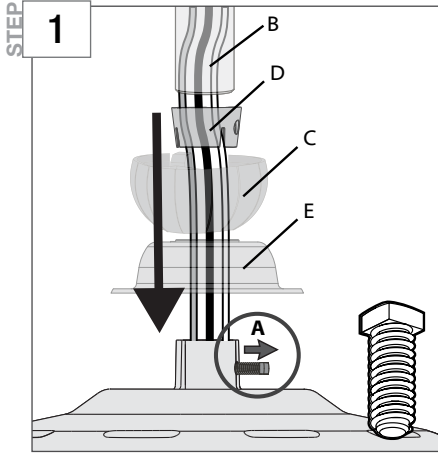
Thread the supply mains (A) through the centre hole of the ceiling plate (B).



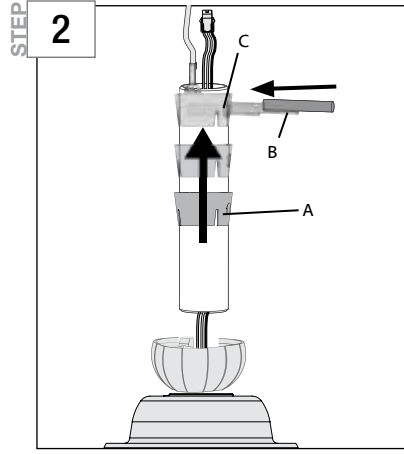
Raise the ceiling plate (A) and align two opposing oval slots with the pilot holes (B). Insert and tighten the two wood screws (C) with washers (D) to secure the ceiling plate (A) to the ceiling.

Installing the Downrod

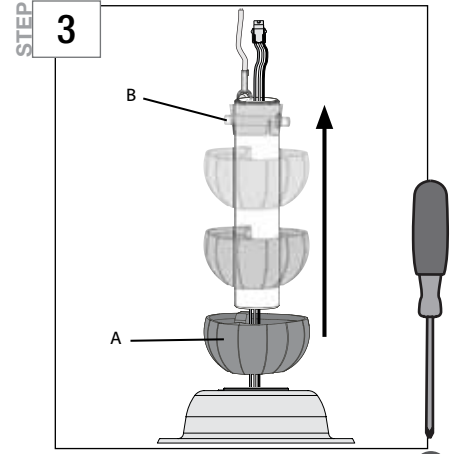
Follow below if you are using the downrod that came in your box. Need to install a longer or shorter downrod? Check out the guide at the end of this manual.



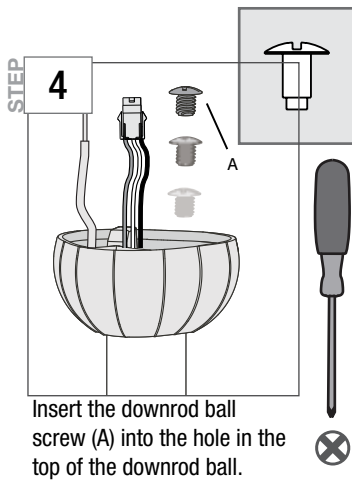
Back out the pre-installed setscrew (A) so that the setscrew's threads are still engaged while the shank does not protrude and obstruct the insertion of the downrod (B). Guide the downrod ball (C), sleeve (D), and downrod (B) down the wires coming from the fan.



Slide the downrod sleeve (A) up the downrod. Insert the down rod pin (B) into the pin hole (C) on the top of the downrod.



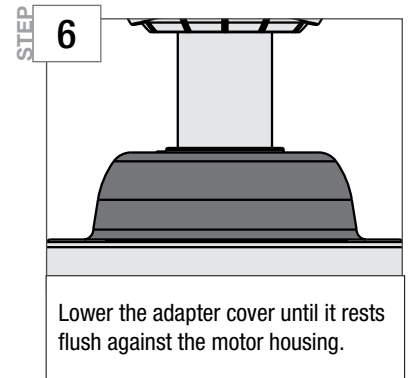
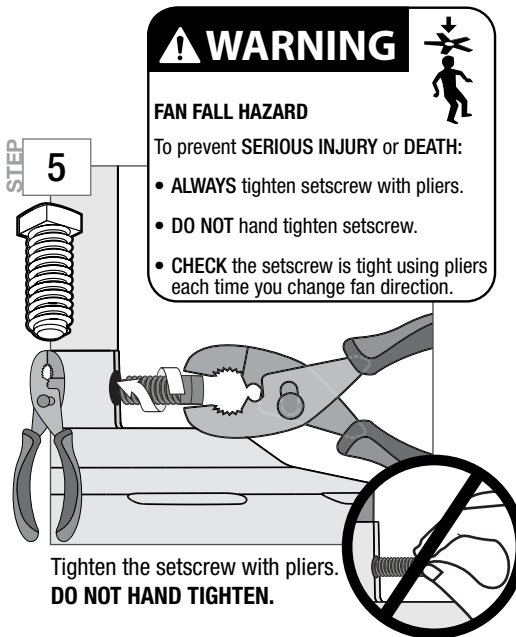
Slide the downrod ball (A) up the length of the downrod pipe. Align the downrod pin (B) with the notches in the downrod ball (A).



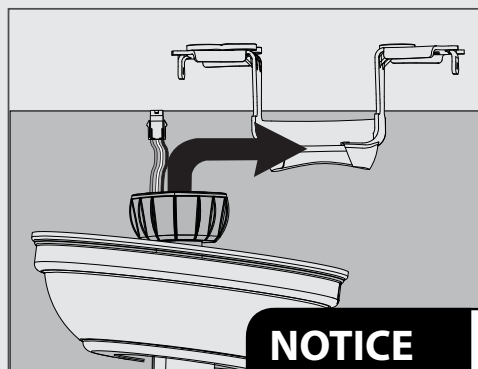
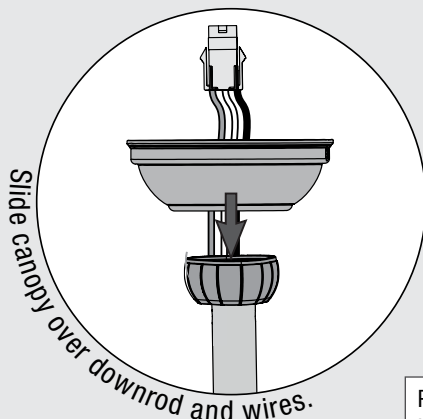
Insert the downrod ball screw (A) into the hole in the top of the downrod ball.

Note:

Fan style may vary.



Hanging the Fan

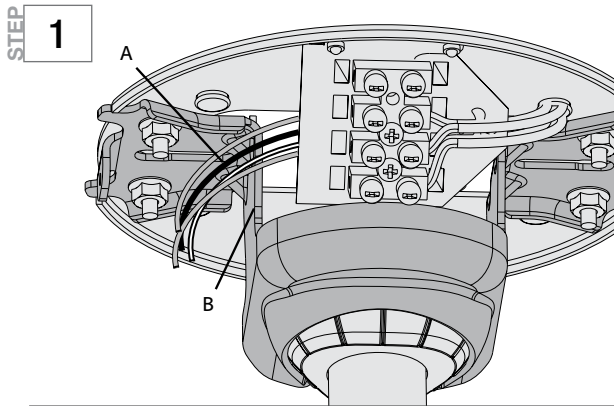


Place the downrod ball into the slot in the ceiling bracket.

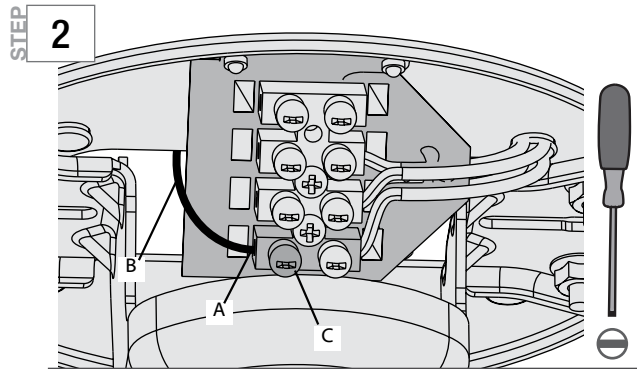
NOTICE

To prevent damage to fan, **ALWAYS** lift holding either the fan housing or the downrod.

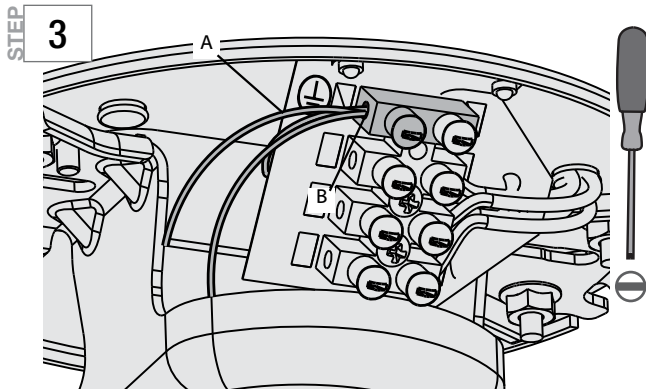
Wiring the Fan



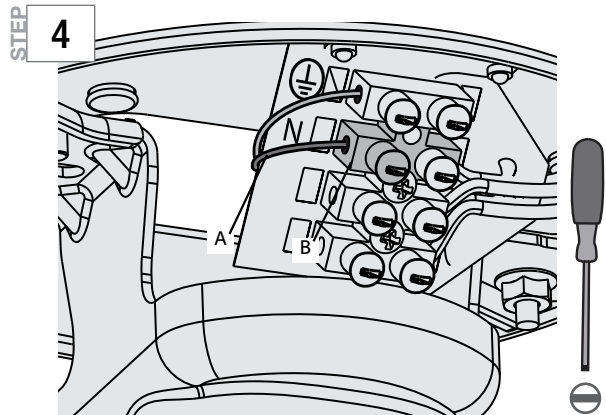
Pull the supply mains (A) through the side of the hanger bracket (B).



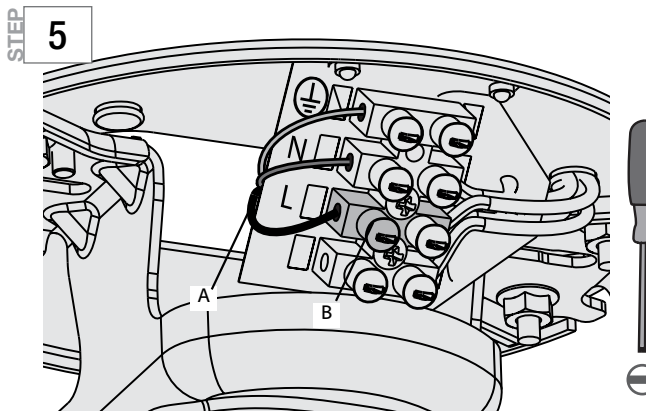
Thread the end of each wire into the terminal block (A) on the hanger bracket, then secure each supply main (B) by tightening the small setscrews (C).



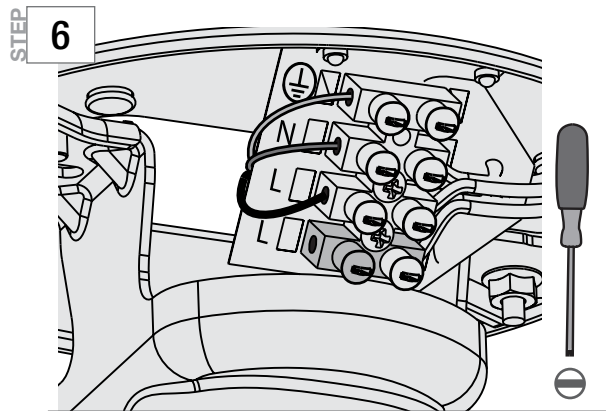
Earth wire (A) (green/yellow) to terminal (B) marked \oplus .



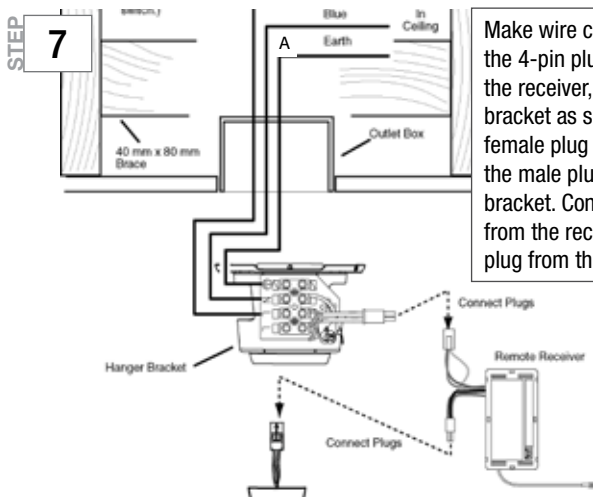
Neutral wire (A) (blue) to terminal (B) marked "N".



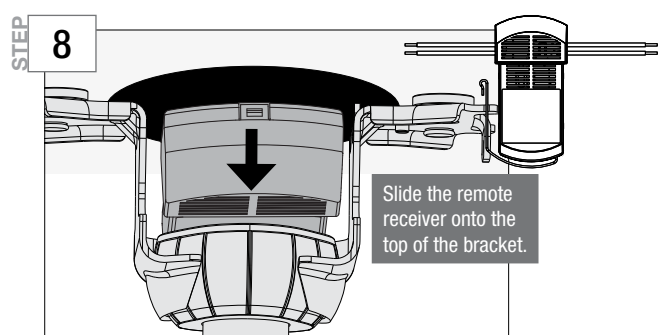
Line wire (A) (brown) to terminal (B) marked "L".



An additional "L" terminal is provided for separate control of the light kit if a separate line is provided for that purpose.



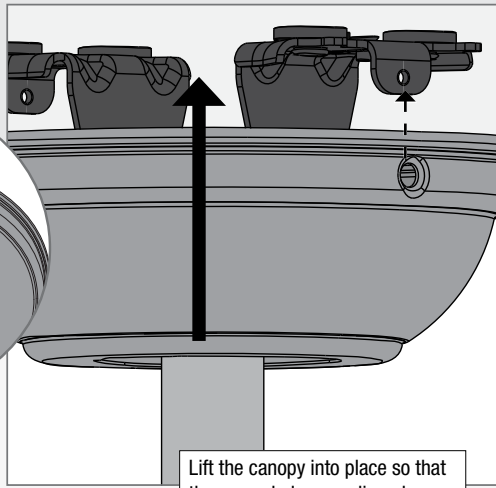
Make wire connections using the 4-pin plugs coming from the receiver, fan, and hanger bracket as shown. Connect the female plug from the receiver to the male plug from the hanger bracket. Connect the male plug from the receiver to the female plug from the fan.



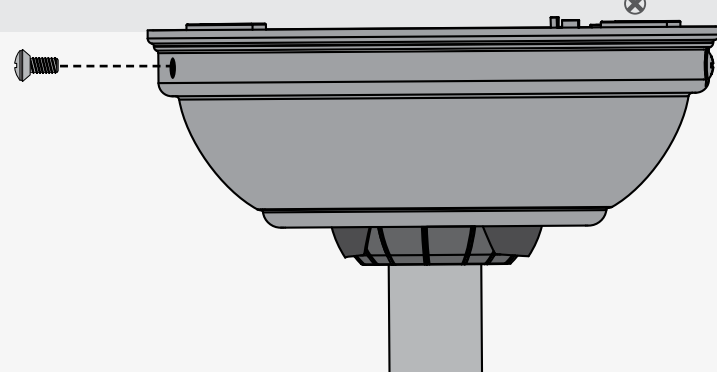
Slide the remote receiver onto the top of the bracket.

Place receiver in ceiling bracket. Excess wire may be placed into the outlet box for non-concrete ceilings or inside the hanger bracket for concrete ceilings.

Installing the Canopy



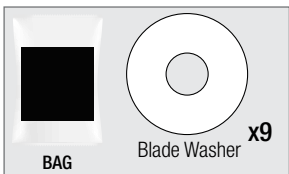
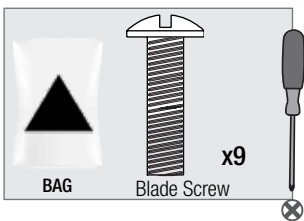
Insert the two canopy screws found in the ● hardware bag.



Installing the Blades:

Put the blade washers found in the ■ hardware bag onto the blade screws found in the ▲ hardware bag. Then install the blade screws to secure each blade to the fan.

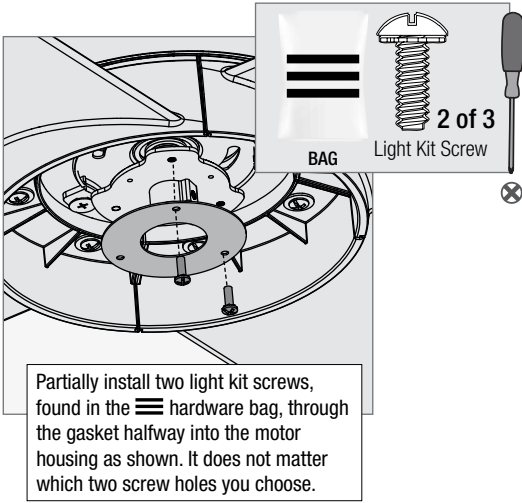
Repeat x3



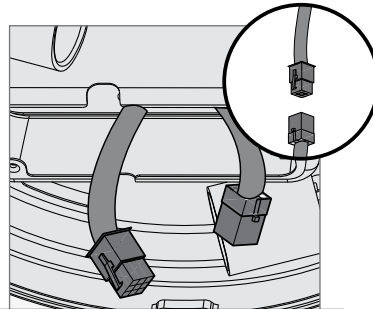
Note:

Fan style may vary.

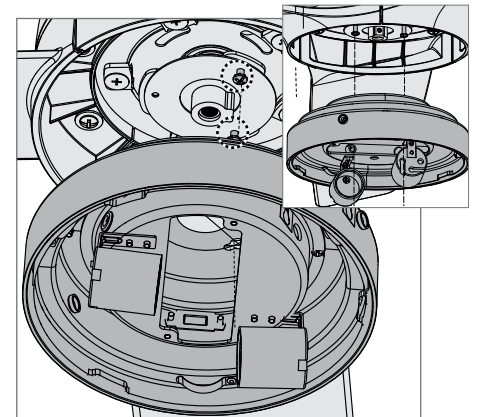
Assembling the Light



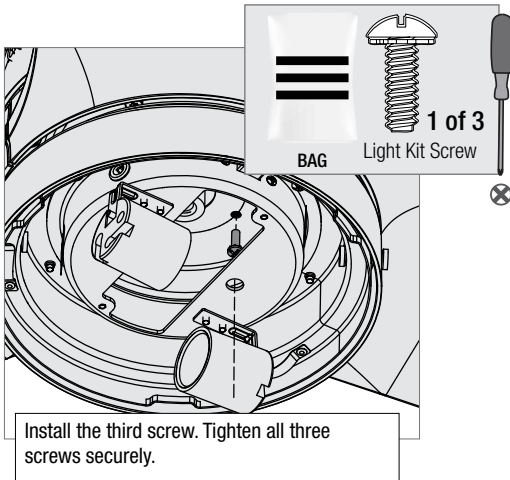
Partially install two light kit screws, found in the hardware bag, through the gasket halfway into the motor housing as shown. It does not matter which two screw holes you choose.



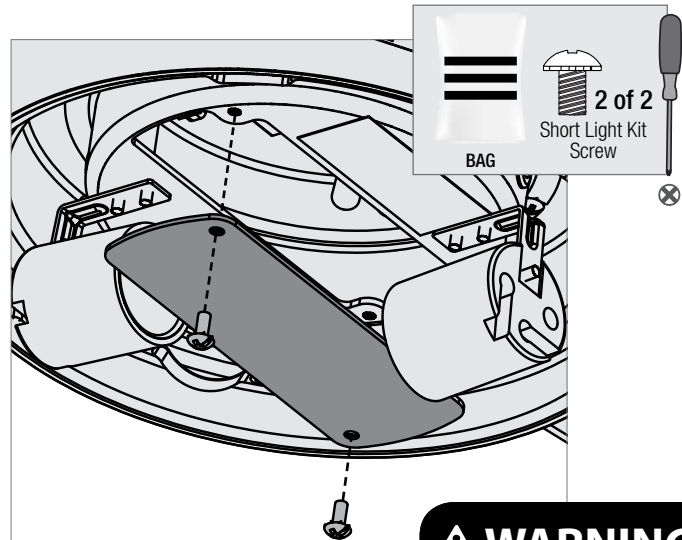
Feed the 9-pin plug connector coming from the bottom of the motor housing through the centre hole in the light kit assembly. Connect it to the plug connector found in the switch housing area of the light kit assembly. Make sure to line up the coloured markings on the connectors.



Align the keyhole slots in the top of the upper switch housing with the partially installed light kit screws. Wrap the keyhole slots around the screws and twist counterclockwise



Install the third screw. Tighten all three screws securely.



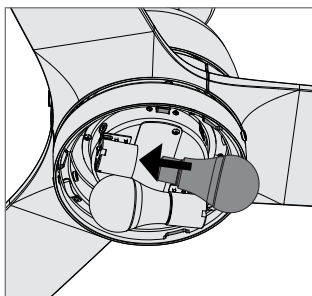
Carefully push all switch housing components into the switch housing, then install the switch housing plate using two short light kit assembly screws, found in the hardware bag.

! WARNING
FALL HAZARD
Make sure all screws are tight to secure the light fixture.

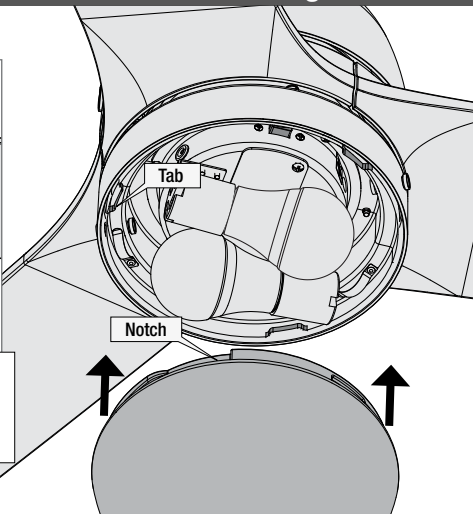
Note:

Fan style may vary.

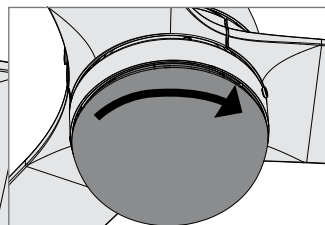
Installing the Bulbs and Glass



Install the included bulbs into the sockets. When necessary, replace with bulbs of same wattage, A60 or smaller, E27 base, and less than 14W



Lift the DuraLight lens and align the notches in the DuraLight Lens with the tabs in the light kit.



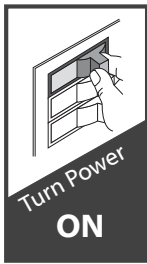
Attach the DuraLight lens by lifting and turning clockwise one third of a full turn until it stops.

NOTE: Check to ensure proper engagement.

Note:

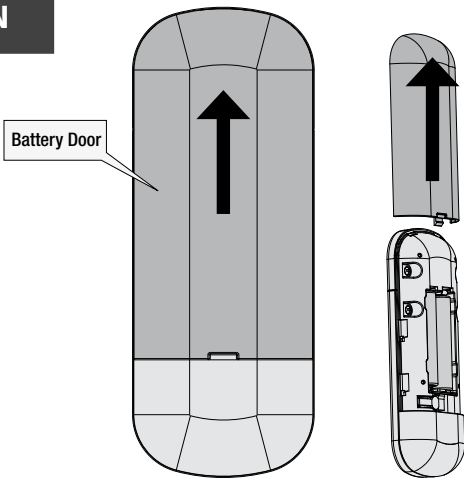
Fan style may vary.

Preparing the Remote



For your convenience, a remote function card is packed in with your remote.

To access the battery compartment, remove the battery door to the transmitter assembly.



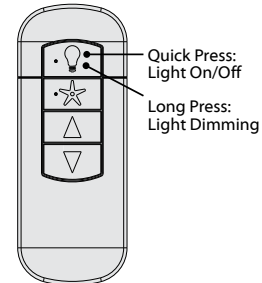
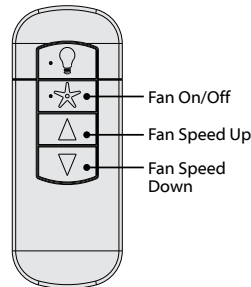
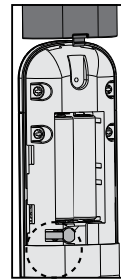
Battery Door

NOTICE: DIMMING MODE

To toggle Dimming Mode on or off, long press the “Fan Speed Up” button and “Fan Speed Down” button.

The remote transmitter is already paired to the receiver and ready to use. **Dimming mode is on by default.**

Note: If you need to pair your remote, turn fan power off and back on at the wall switch. Within 3 minutes, press and release the “PAIR” button on the back of the remote. **Do not hold down the button.** To prevent faulty operation, please ensure all other ceiling fans within range are turned off at the wall switch while pairing.

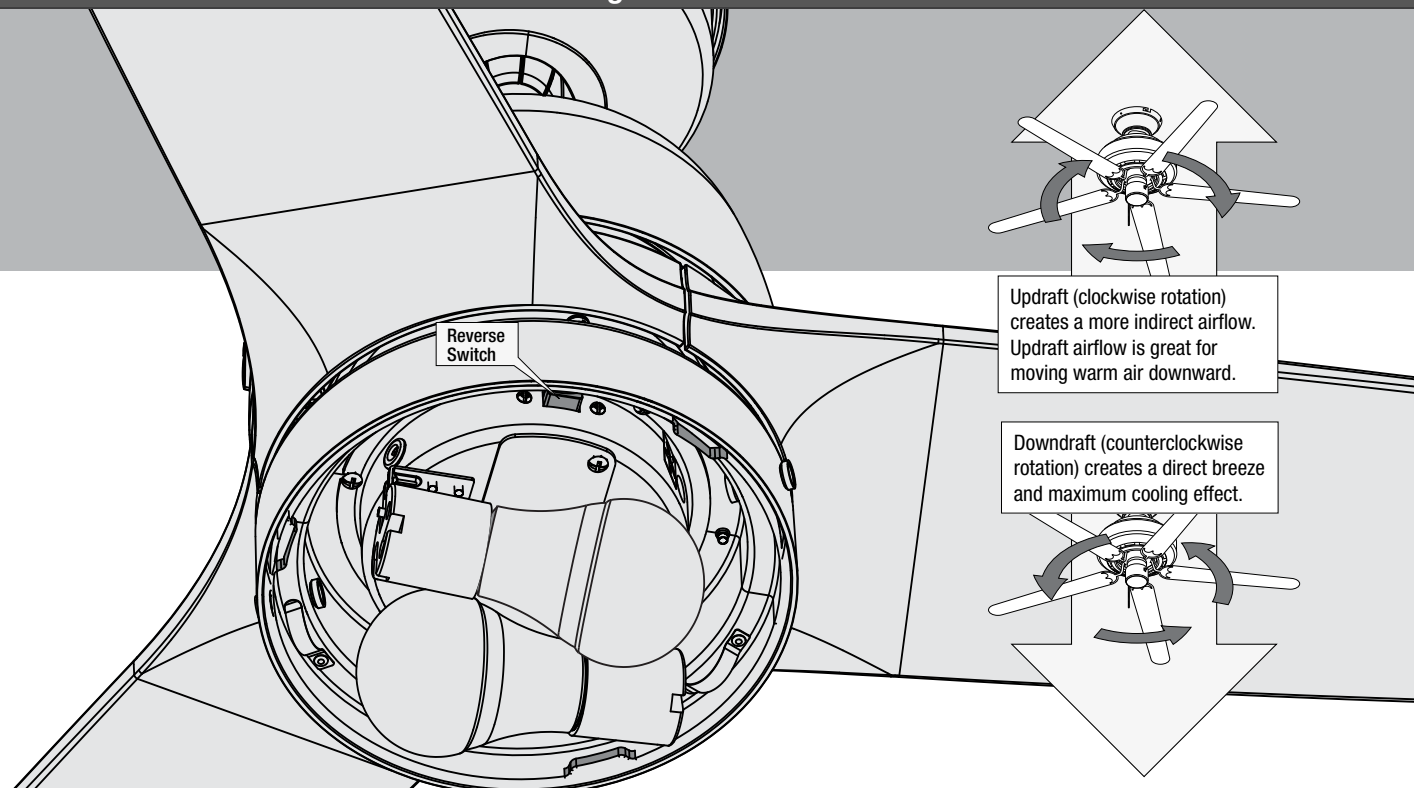


Install two AAA batteries, found in the remote control hardware bag, into the transmitter. Clean the battery contacts prior to installing the batteries. **Please contact your local battery recycling centre for proper battery disposal information.**

The Fan On/Off button turns the fan on or off. Adjust the fan speed using the “Fan Speed Up” or “Fan Speed Down” directional buttons.

Quickly press the Light button to turn the lights off and on. Hold the Light button to raise and dim the light level.

Reversing the Fan



Reverse Switch

Updraft (clockwise rotation) creates a more indirect airflow. Updraft airflow is great for moving warm air downward.

Downdraft (counterclockwise rotation) creates a direct breeze and maximum cooling effect.

Ceiling fans work in two directions: downdraft (counterclockwise rotation) and updraft (clockwise rotation). To change the direction of air flow, turn the fan off and let it come to a complete stop. The reversing switch is located inside the light fixture. It can only be accessed when the DuraLight lens is removed. Slide the reversing switch to the opposite position. Restart the fan.

Note:

Fan style may vary.

Troubleshooting

⚠ IMPORTANT

- Always purchase the correct size and grade of battery most suitable for the intended use.
- Replace all batteries as a set at the same time.
- Clean the battery contacts and also those of the device prior to battery installation.
- Ensure the batteries are installed correctly with regard to polarity (+ and -).
- Remove batteries from equipment which is not to be used for an extended period of time.
- Remove used batteries promptly.

Fan Doesn't Work

- Make sure power switch is on.
- Check the circuit breaker to ensure the power is turned on.
- Make sure the blades spin freely.
- Turn off power from the circuit breaker, then loosen the canopy and check all the connections according to the wiring diagram.

Excessive Wobbling

- Make sure the blades are properly installed on the blade iron posts.
- Turn the power off, support the fan carefully, and check that the hanger ball is properly seated.

Noisy Operation

- Make sure the blades are properly installed.
- Check to see if any of the blades are cracked. If so, replace all of the blades.

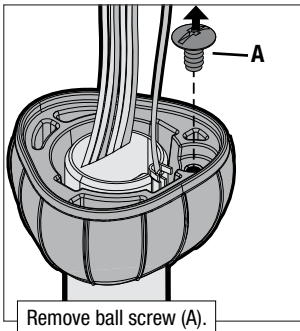
Hunter Pro Tip:

Cleaning the Fan

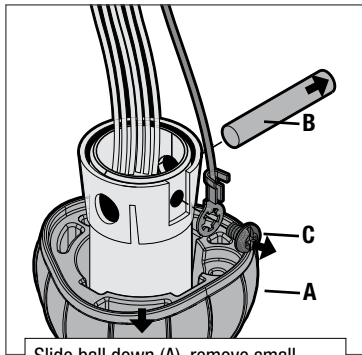
Use soft brushes or cloths to prevent scratching. Cleaning products may damage the finishes.

Downrod

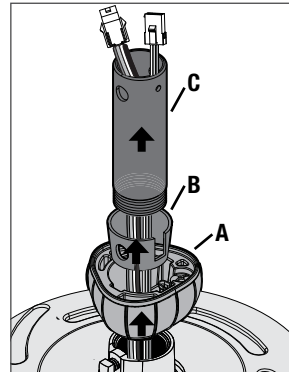
If you need a different downrod length follow these steps:



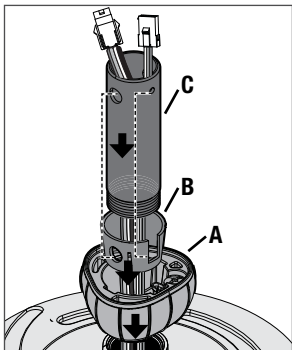
Remove ball screw (A).



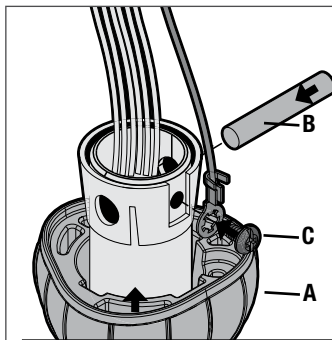
Slide ball down (A), remove small metal pin (B) and ground screw and grounding wire (C).



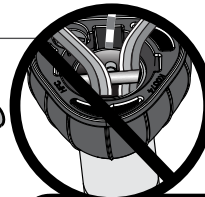
Remove ball (A), inner sleeve (B) and downrod (C) from fan body and wiring harnesses.



Route wiring harnesses from the fan through the accessory downrod (C). Slide inner sleeve (B) and ball (A) over downrod. Make sure to align the holes for the sleeve (B) and downrod (C).

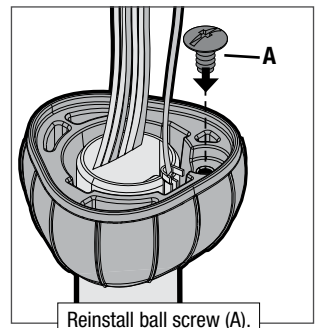


Reinstall small metal pin (B) and grounding wire then ground screw (C). Slide ball up (C).



NOTICE

Make sure all wiring from the wiring harnesses are on one side of the downrod pin to avoid wire entanglement when engaging the downrod. Do not have wiring on the same side as the grounding screw to avoid damage to the wiring.



Reinstall ball screw (A).

⚠ WARNING



FAN FALL HAZARD

To prevent **SERIOUS INJURY** or **DEATH**:

- **ALWAYS** tighten setscrew with pliers.
- **DO NOT** hand tighten setscrew.
- **CHECK** the setscrew is tight using pliers each time you change fan direction.
- **Pin** must be reinserted to secure downrod assembly

Wiring harness supports 12" downrod max.